



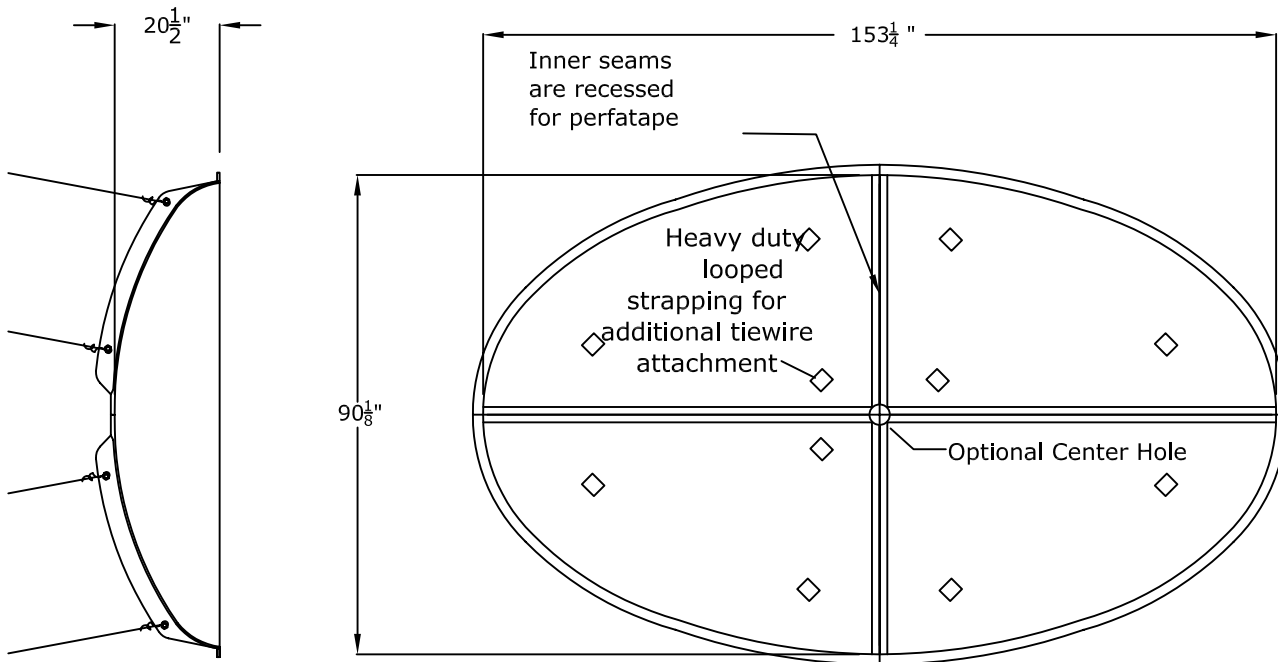
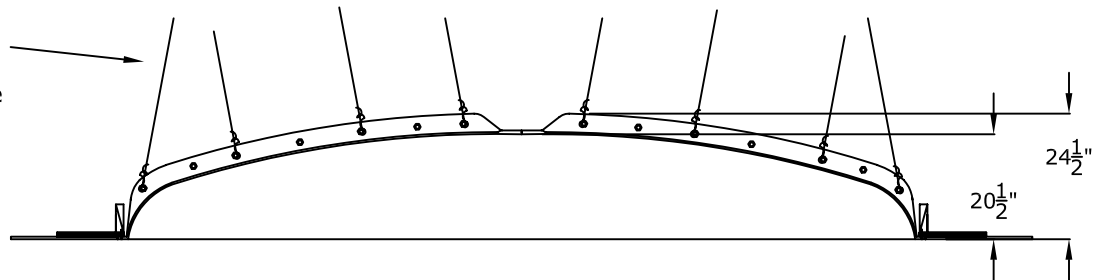
RWM Inc.

6419 South Cottonwood Street, Murray, Utah 84107
 Phone: 801-268-2400 Toll Free: 1-855-RWM-ARTS (796-2787)
 Fax: 801-268-2522 E-mail: info@rwm-inc.com

Visit our website at www.rwm-inc.com

153" X 90" Oval Recessed Dome: 4 Parts with a 24 1/2" Overall Rise

Drill through both bolt flanges for permanent #9 tiewire anchorments (we recommend a minimum of two per flange)



Note: We will send a Tyvex framing pattern upon placement of your order.



© Copyright 2013

RWM Inc.

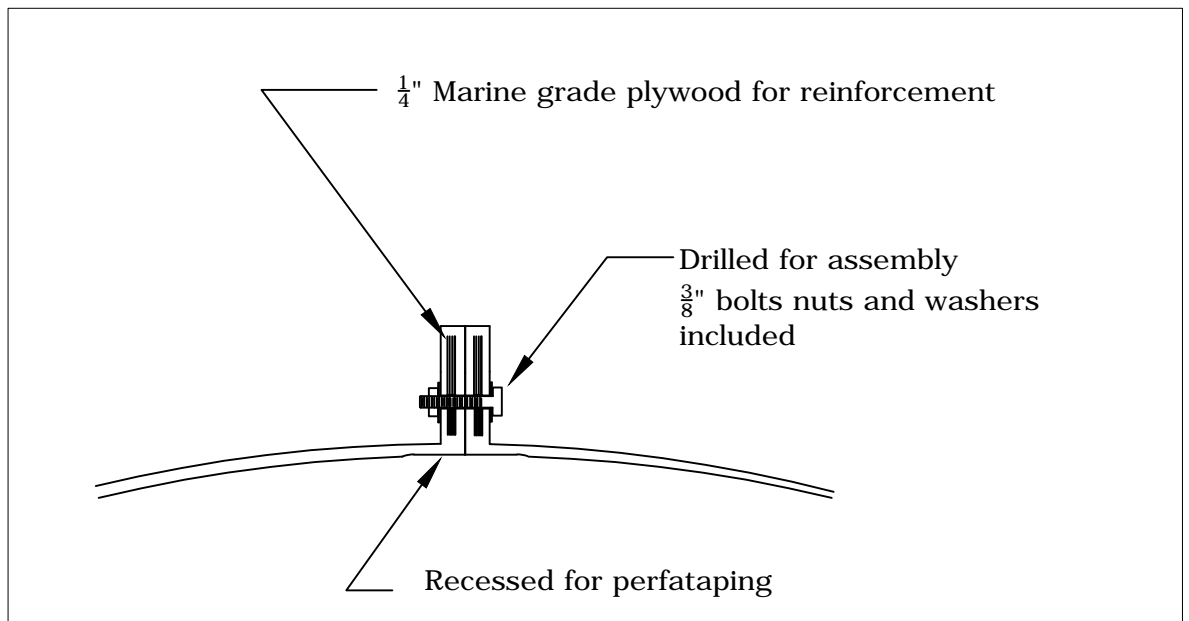
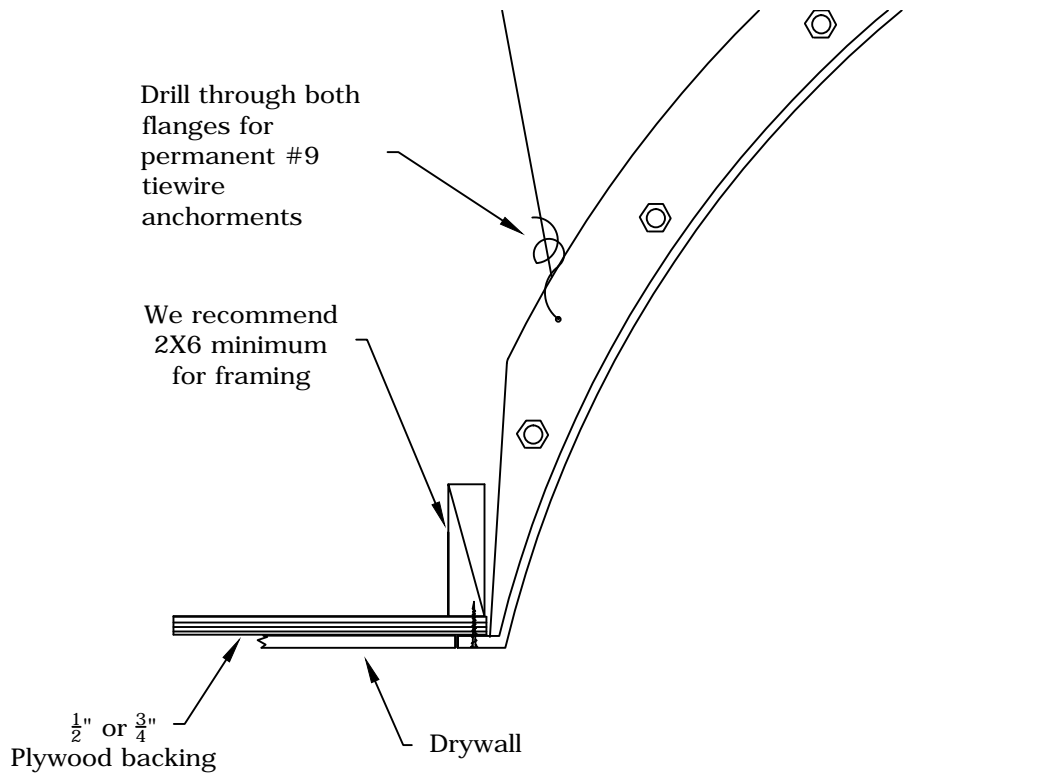
6419 South Cottonwood Street, Murray, Utah 84107

Phone: 801-268-2400 Toll Free: 1-855-RWM-ARTS (796-2787)

Fax: 801-268-2522 E-mail: info@rwm-inc.com

Visit our website at www.rwm-inc.com

Anchor Flange For Multi-Piece Domes



Bolt Flange Section



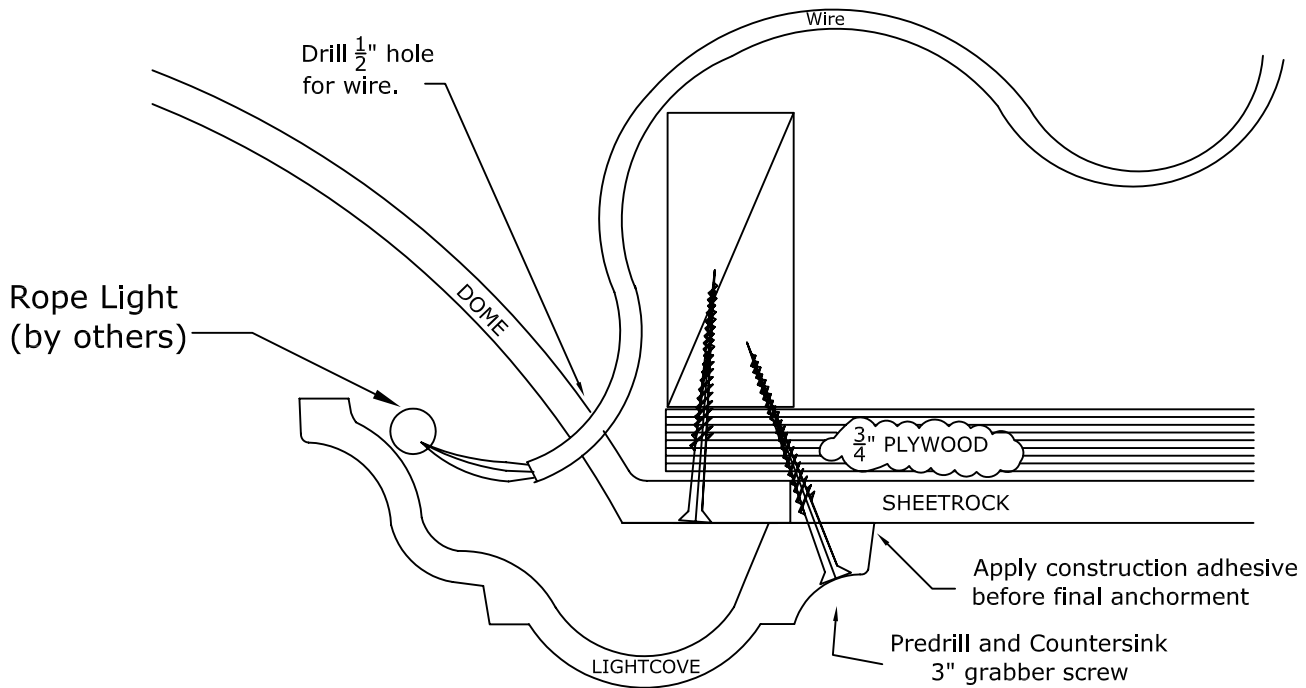
© Copyright 2012

RWM Inc.

6419 South Cottonwood Street, Murray, Utah 84107
 Phone: 801-268-2400 Toll Free: 1-855-RWM-ARTS (796-2787)
 Fax: 801-268-2522 E-mail: info@rwm-inc.com

Visit our website at www.rwm-inc.com

Standard Lightcover Detail: For Larger Round & Oval Domes



We recommend a minimum of one point of anchor every 16" on lightcover. (this is in addition to a minimum of one point of anchor every 16" for the dome bottom flange, and the recommended minimum of tiewire attachments for the dome. Check the spec sheet for your dome.)

