



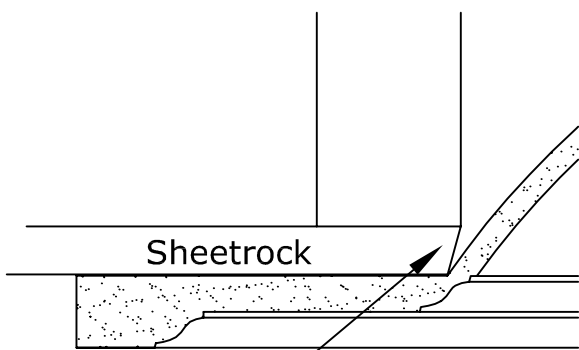
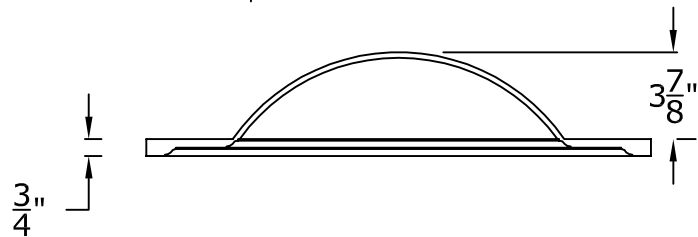
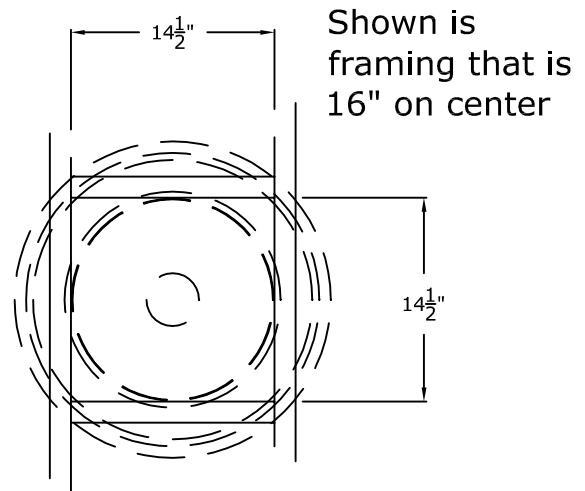
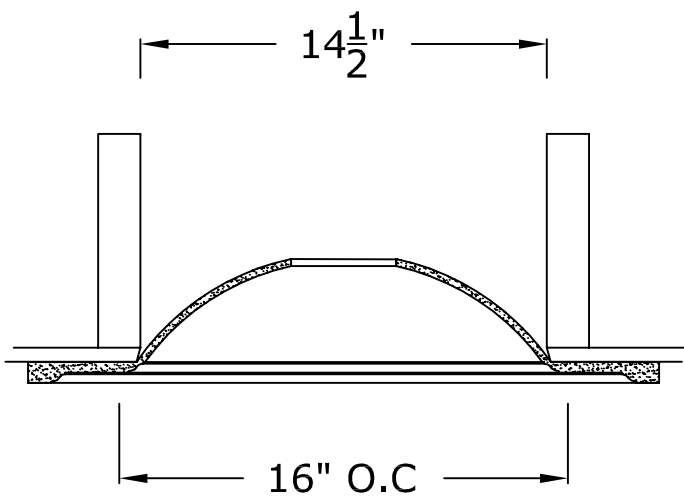
© Copyright 2018

# RWM Inc.

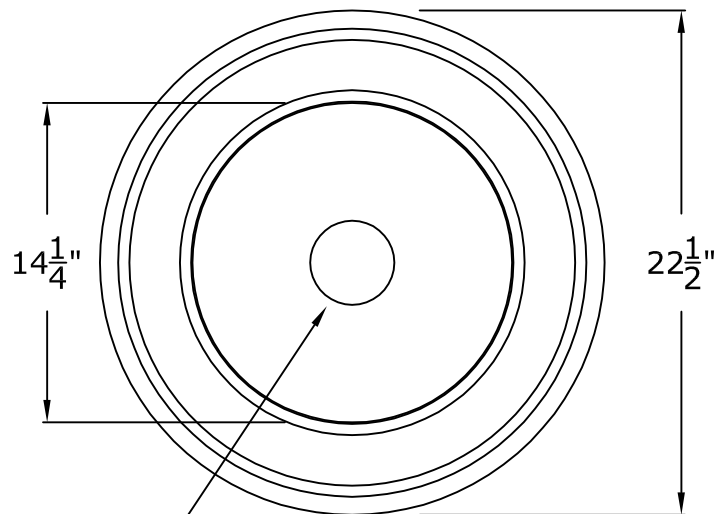
6419 South Cottonwood Street, Murray, Utah 84107  
Phone: 801-268-2400 Toll Free: 1-855-RWM-ARTS (796-2787)  
Fax: 801-268-2522 E-mail: info@rwm-inc.com

Visit our website at [www.rwm-inc.com](http://www.rwm-inc.com)

## 14 $\frac{1}{2}$ " Round Recessed Dome with Attached Casing 1 Part with a 3 $\frac{7}{8}$ " Overall Rise



1/2" Sheetrock  
will need to be  
slightly trimmed



Optional Center Hole