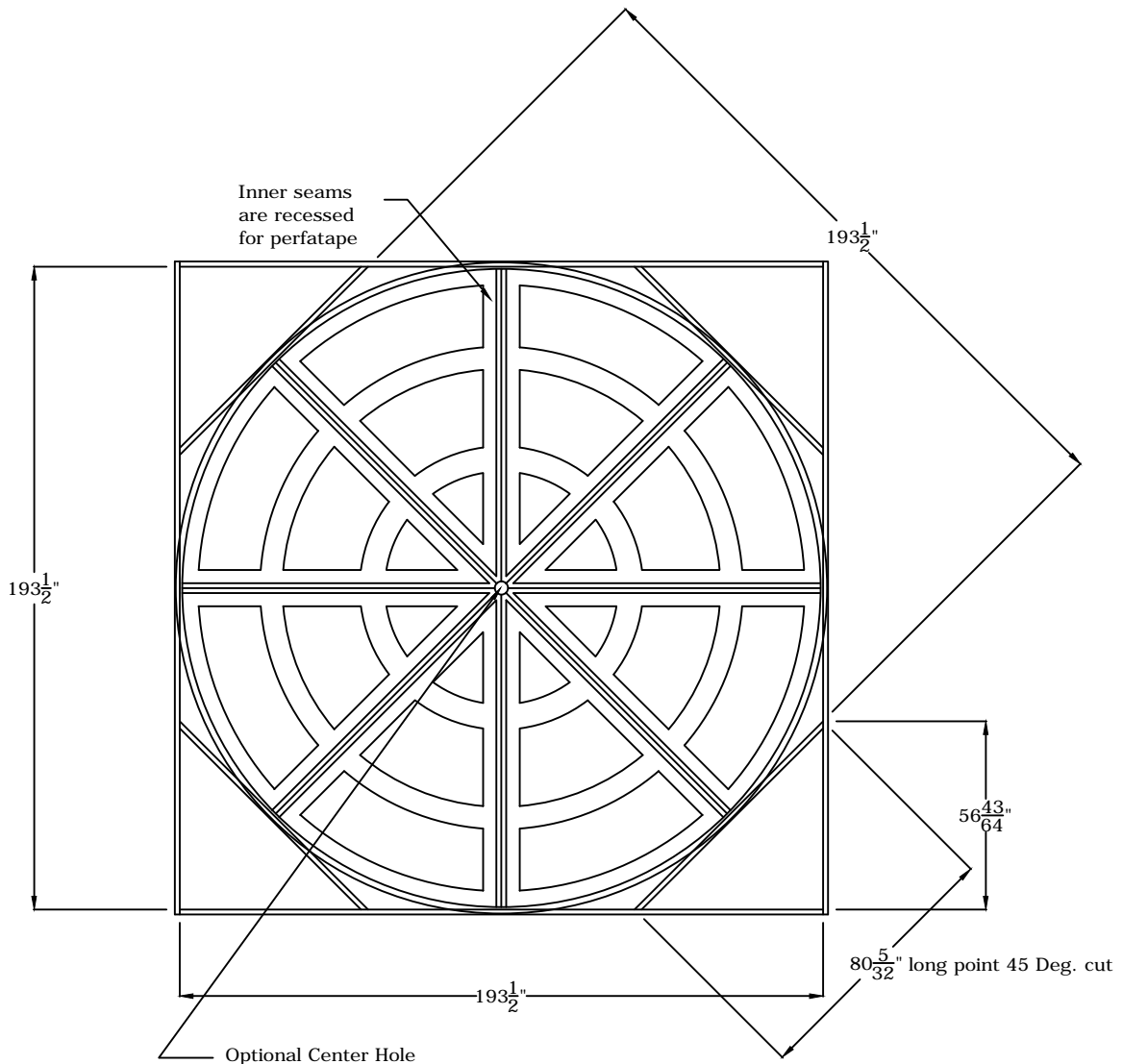
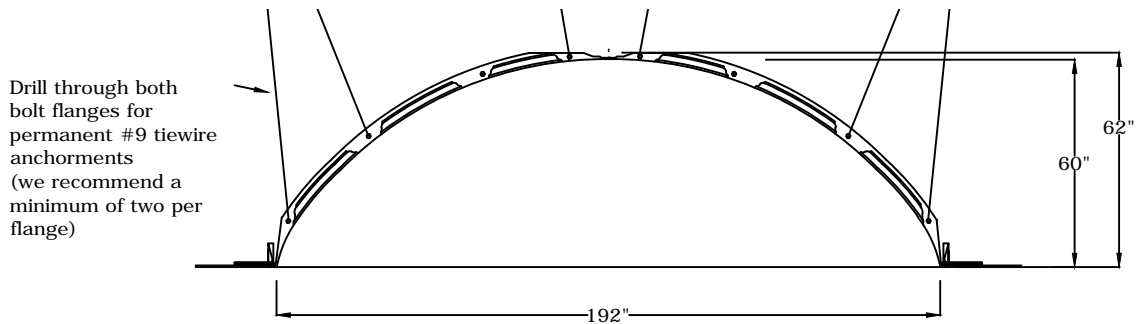


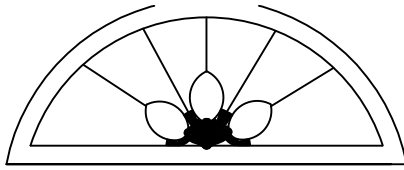
© Copyright 2013

RWM Inc.

6419 South Cottonwood Street, Murray, Utah 84107
 Phone: 801-268-2400 Toll Free: 1-855-RWM-ARTS (796-2787)
 Fax: 801-268-2522 E-mail: info@rwm-inc.com
 Visit our website at www.rwm-inc.com

16 Foot Coffered Round Recessed Dome: 8 Parts with a 62" Overall Rise





RWM®

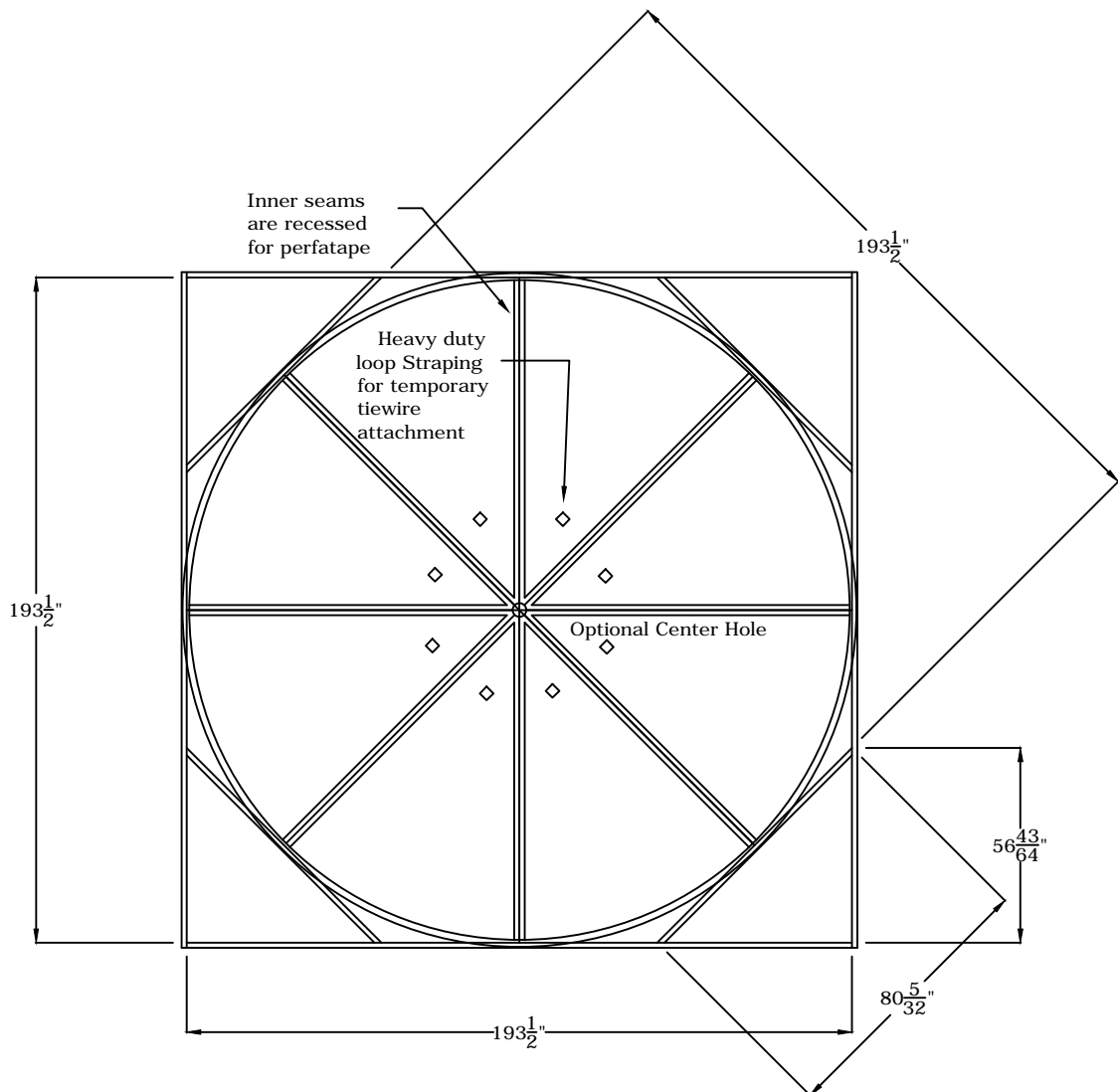
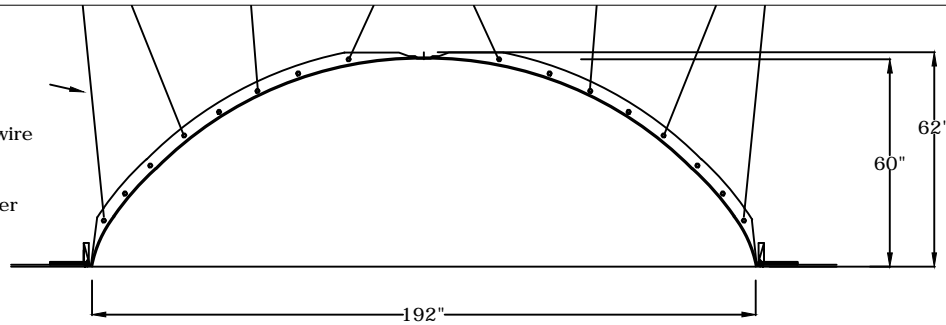
© Copyright 2013

RWM INC.

6419 South Cottonwood Street, Murray, Utah 84107
Phone: 801-268-2400 Toll Free: 1-855-RWM-ARTS (796-2787)
Fax: 801-268-2522 E-mail: info@rwm-inc.com
Visit our website at www.rwm-inc.com

16 Foot Round Recessed Dome: 8 Parts with a 62" Overall Rise

Drill through both
bolt flanges for
permanent #9 tiewire
anchorments
(we recommend a
minimum of two per
flange)





© Copyright 2013

RWM Inc.

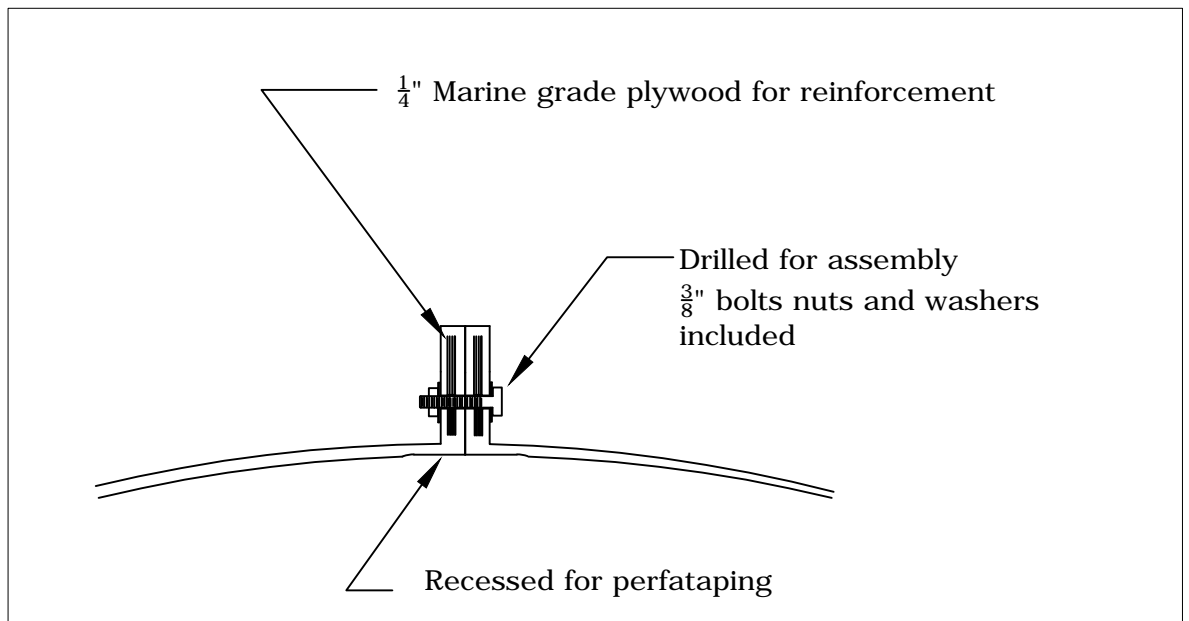
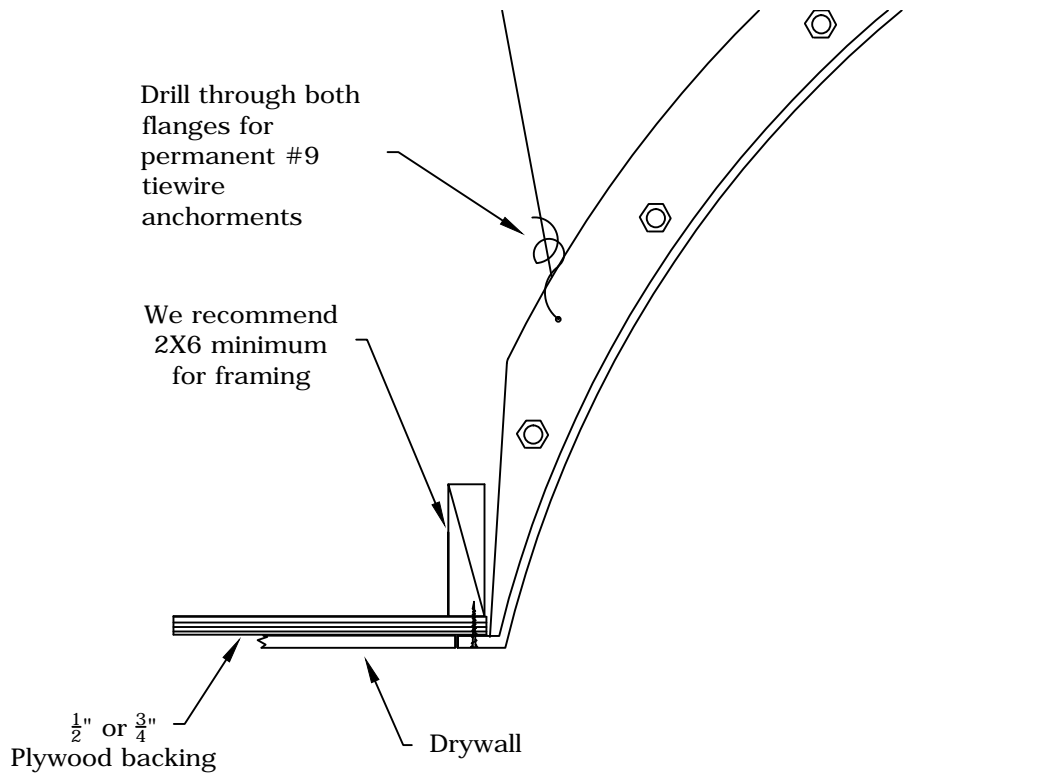
6419 South Cottonwood Street, Murray, Utah 84107

Phone: 801-268-2400 Toll Free: 1-855-RWM-ARTS (796-2787)

Fax: 801-268-2522 E-mail: info@rwm-inc.com

Visit our website at www.rwm-inc.com

Anchor Flange For Multi-Piece Domes



Bolt Flange Section



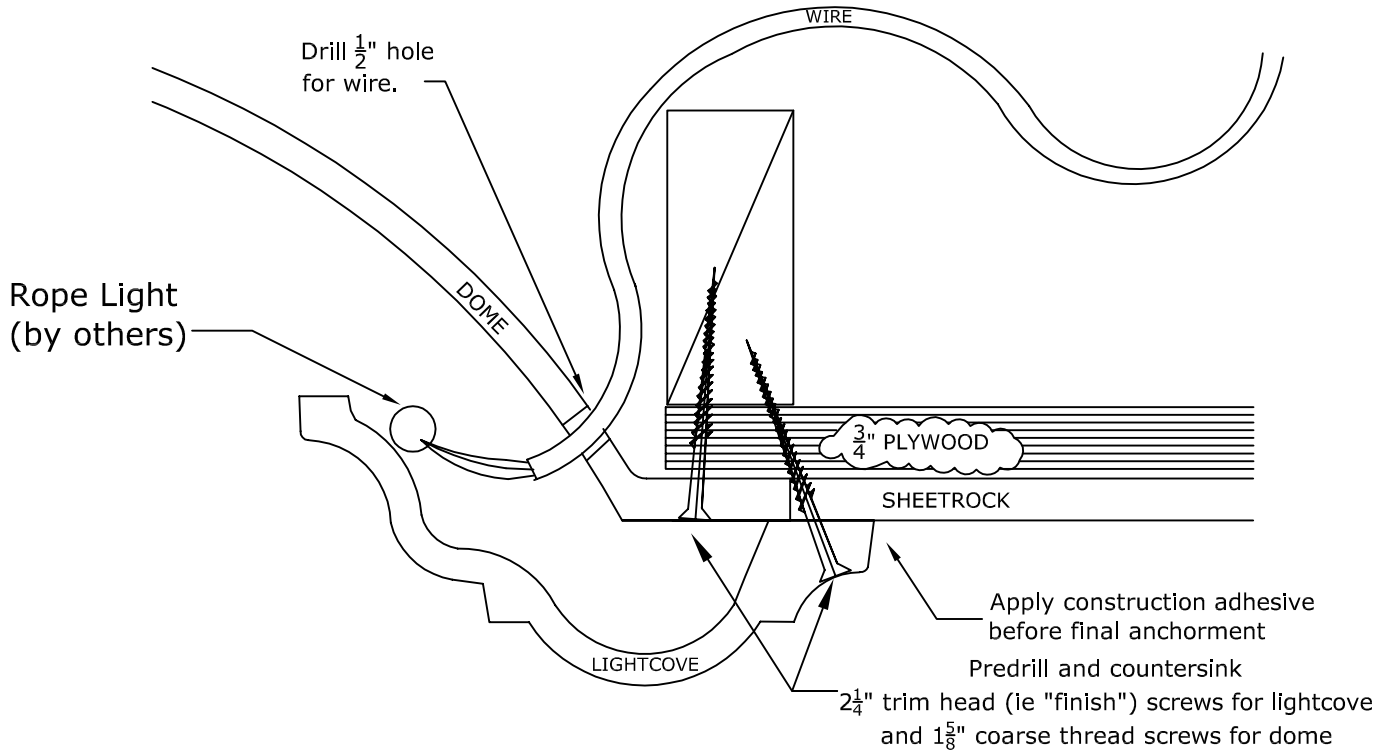
© Copyright 2017

RWM Inc.

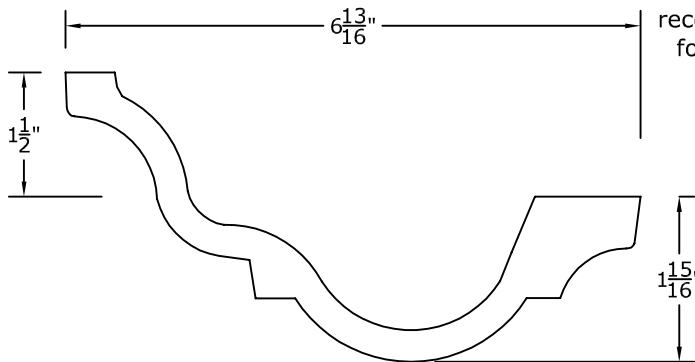
6419 South Cottonwood Street, Murray, Utah 84107
 Phone: 801-268-2400 Toll Free: 1-855-RWM-ARTS (796-2787)
 Fax: 801-268-2522 E-mail: info@rwm-inc.com

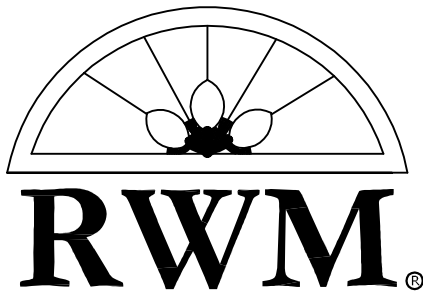
Visit our website at www.rwm-inc.com

Traditional Lightcover: For Select Larger Domes



We recommend a minimum of one point of anchor every 16" on lightcover. This is in addition to a minimum of one point of anchor every 16" for the dome bottom flange, and the recommended minimum of tiewire attachments for the dome. Check the spec sheet for your dome.





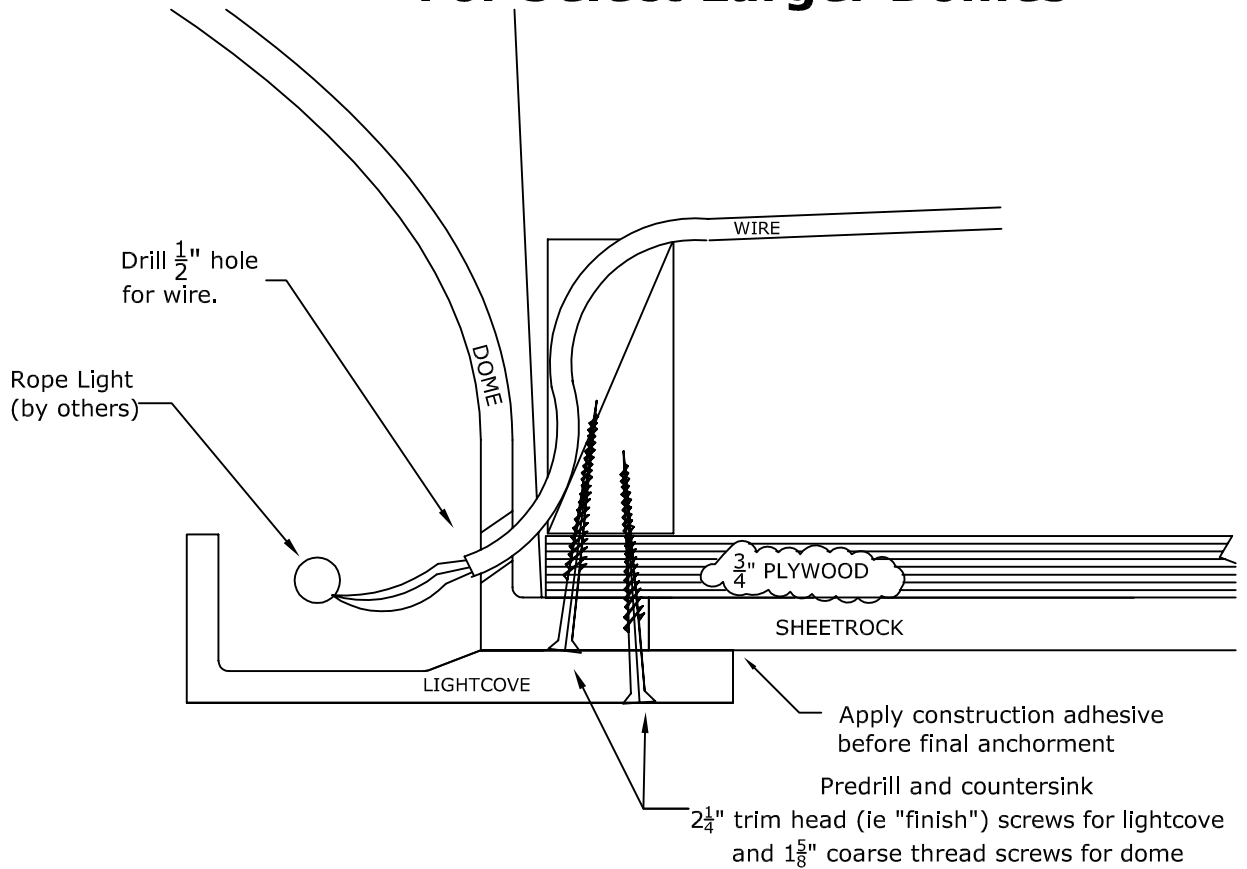
© Copyright 2017

RWM Inc.

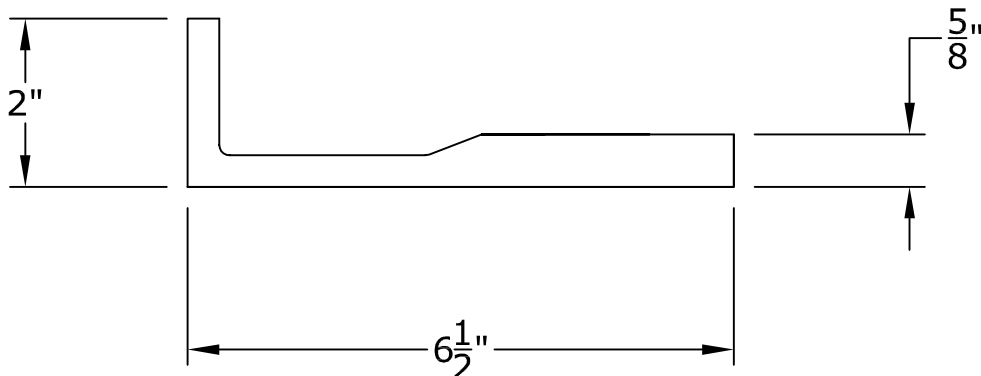
6419 South Cottonwood Street, Murray, Utah 84107
 Phone: 801-268-2400 Toll Free: 1-855-RWM-ARTS (796-2787)
 Fax: 801-268-2522 E-mail: info@rwm-inc.com

Visit our website at www.rwm-inc.com

Contemporary Lightcover: For Select Larger Domes



We recommend a minimum of one point of anchor every 16" on lightcover. This is in addition to a minimum of one point of anchor every 16" for the dome bottom flange, and the recommended minimum of tiewire attachments for the dome. Check the spec sheet for your dome.





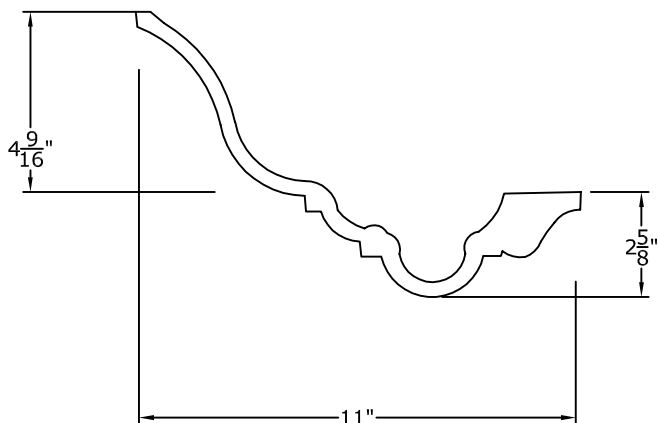
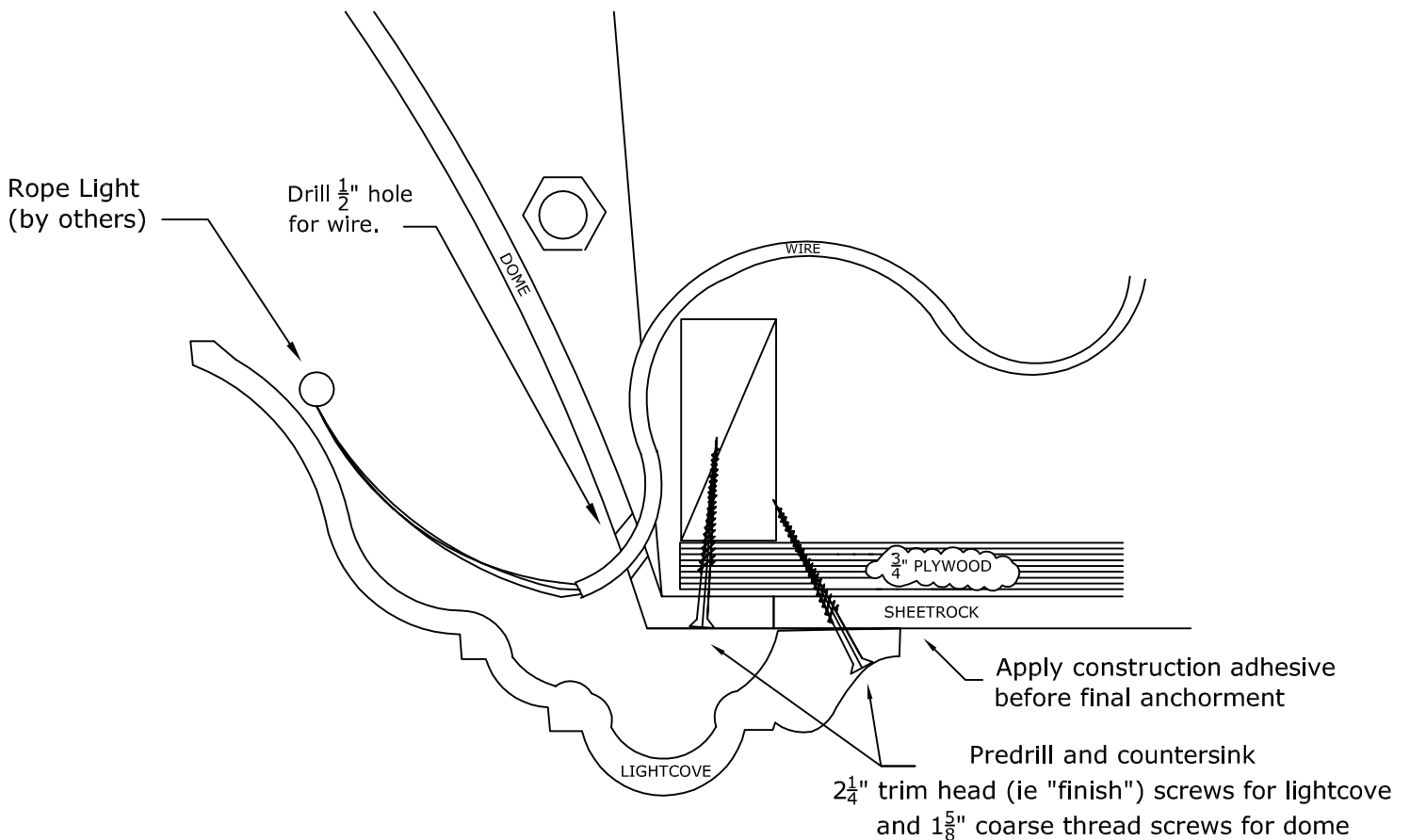
© Copyright 2017

RWM Inc.

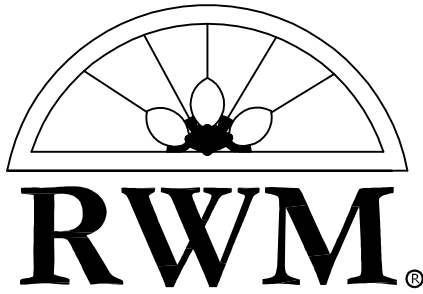
6419 South Cottonwood Street, Murray, Utah 84107
 Phone: 801-268-2400 Toll Free: 1-855-RWM-ARTS (796-2787)
 Fax: 801-268-2522 E-mail: info@rwm-inc.com

Visit our website at www.rwm-inc.com

Larger Traditional Lightcover: For Select Larger Domes



We recommend a minimum of one point of anchor every 16" on lightcover. This is in addition to a minimum of one point of anchor every 16" for the dome bottom flange, and the recommended minimum of tiewire attachments for the dome. Check the spec sheet for your dome.



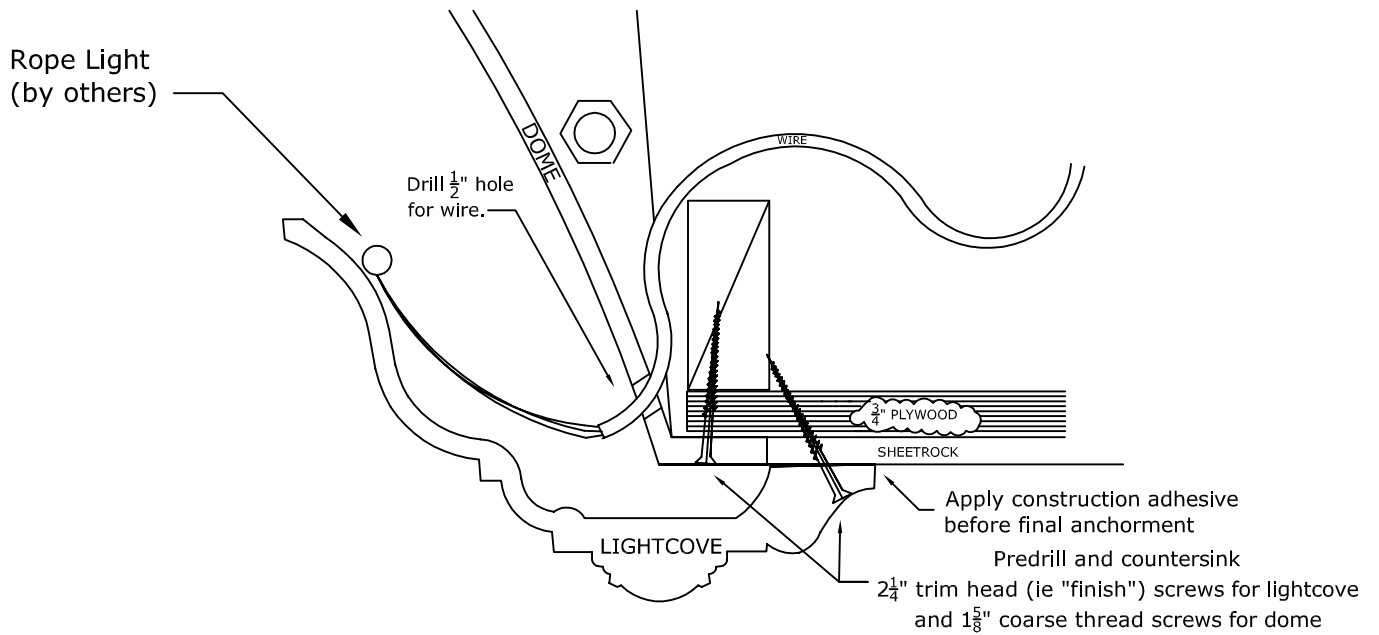
© Copyright 2017

RWM Inc.

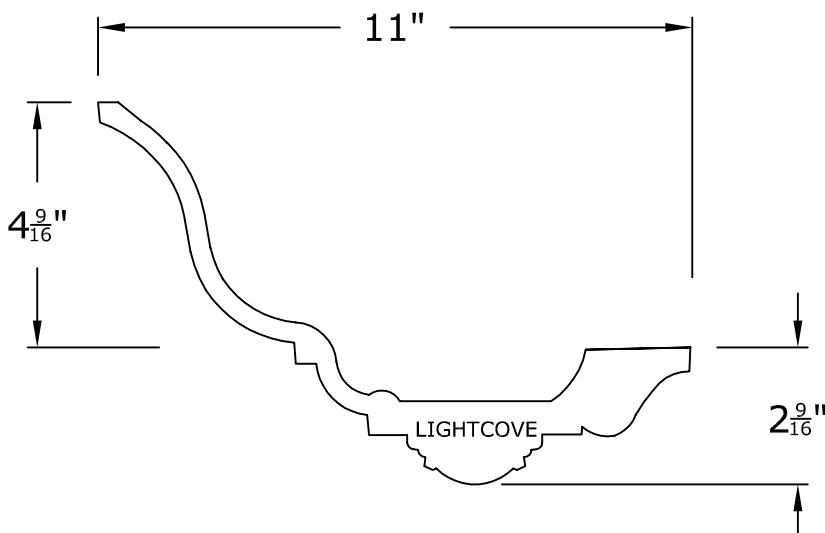
6419 South Cottonwood Street, Murray, Utah 84107
 Phone: 801-268-2400 Toll Free: 1-855-RWM-ARTS (796-2787)
 Fax: 801-268-2522 E-mail: info@rwm-inc.com

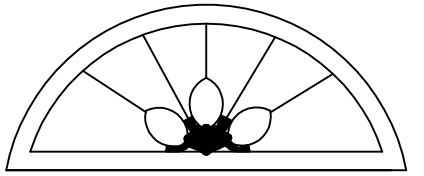
Visit our website at www.rwm-inc.com

Larger Coin Lightcover: For Select Larger Domes



We recommend a minimum of one point of anchor every 16" on lightcover. This is in addition to a minimum of one point of anchor every 16" for the dome bottom flange, and the recommended minimum of tie wire attachments for the dome. Check the spec sheet for your dome.





RWM®

© Copyright 2017

RWM Inc.

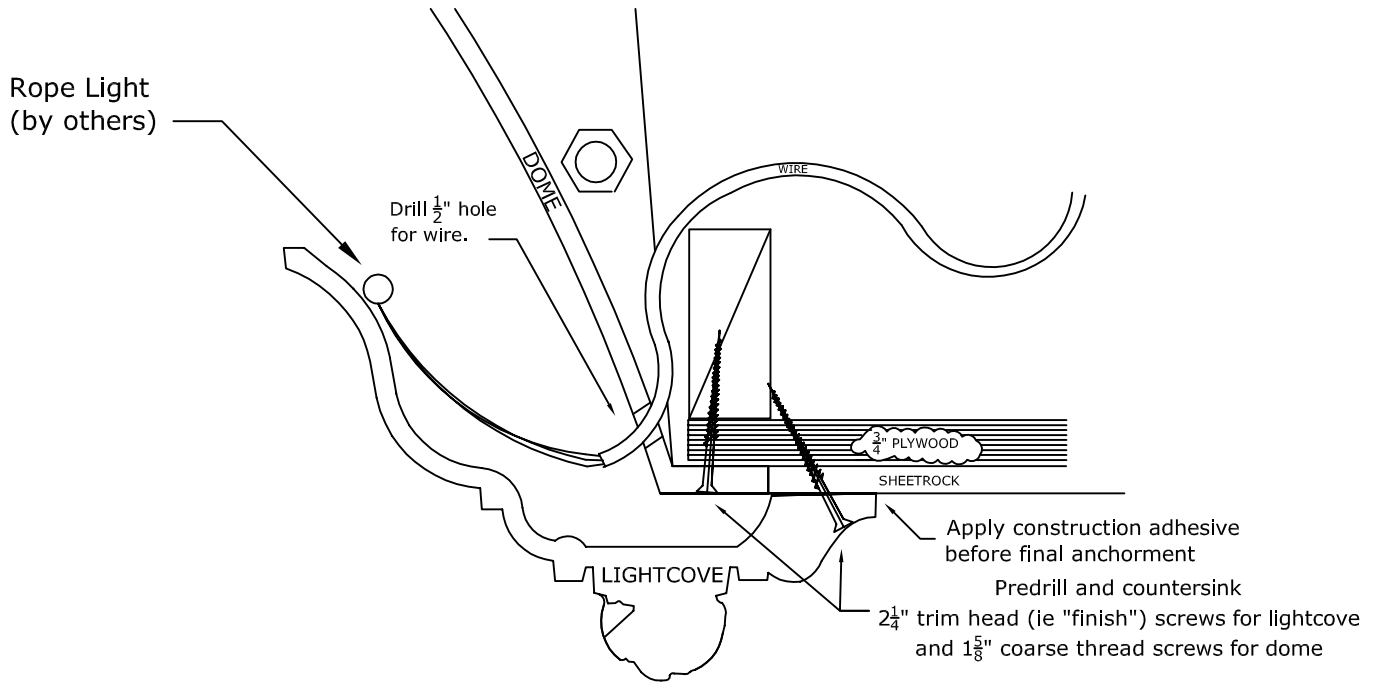
6419 South Cottonwood Street, Murray, Utah 84107

Phone: 801-268-2400 Toll Free: 1-855-RWM-ARTS (796-2787)

Fax: 801-268-2522 E-mail: info@rwm-inc.com

Visit our website at www.rwm-inc.com

Larger Acanthus & Pearl Lightcover: For Select Larger Domes



We recommend a minimum of one point of anchor every 16" on lightcover. This is in addition to a minimum of one point of anchor every 16" for the dome bottom flange, and the recommended minimum of tie-wire attachments for the dome. Check the spec sheet for your dome.

