

RWM[®]

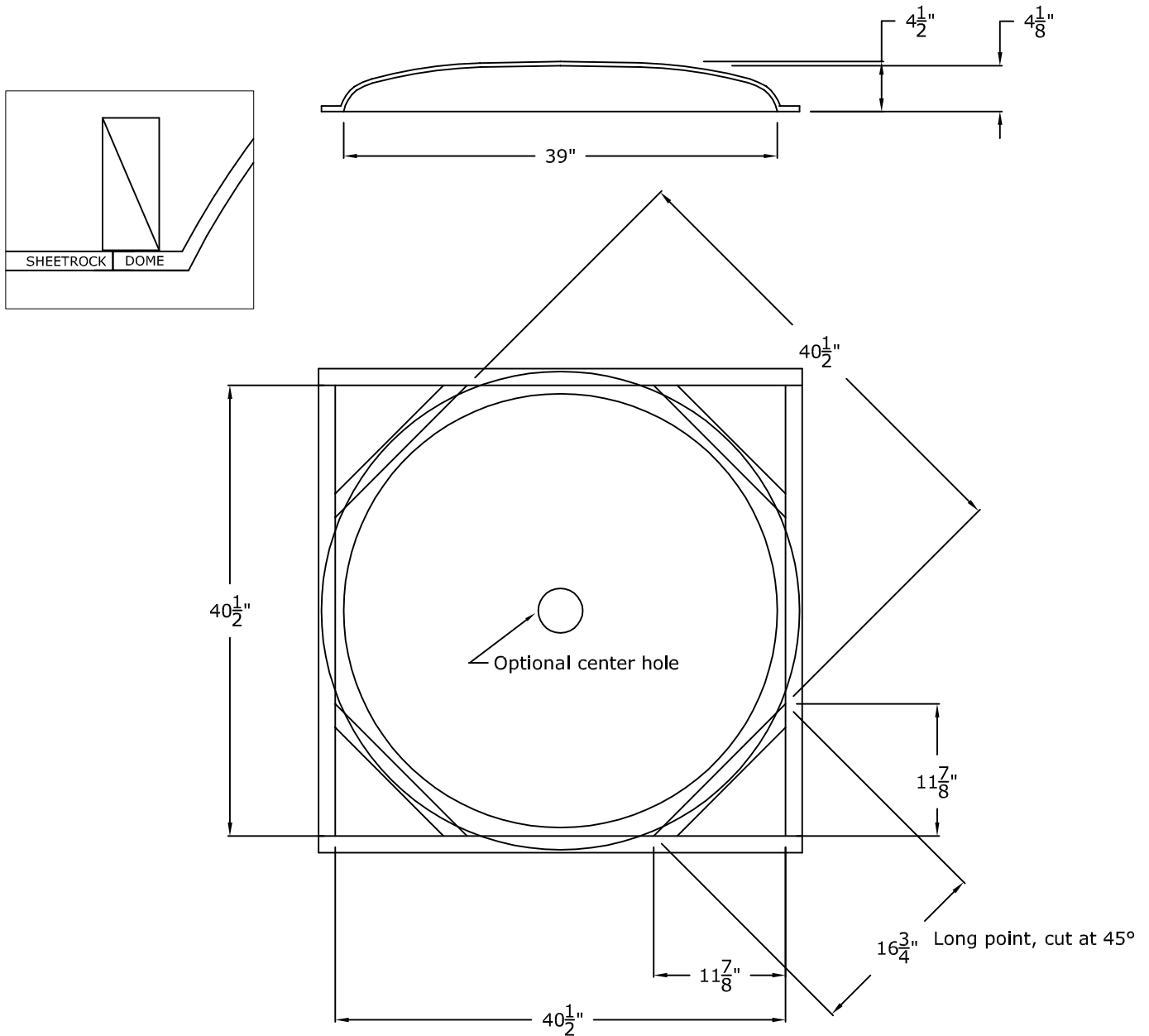
© Copyright 2018

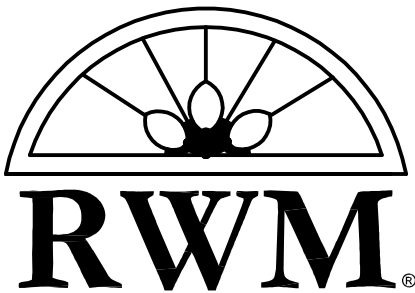
RWM Inc.

6419 South Cottonwood Street, Murray, Utah 84107
Phone: 801-268-2400 Toll Free: 1-855-RWM-ARTS (796-2787)
Fax: 801-268-2522 E-mail: info@rwm-inc.com

Visit our website at www.rwm-inc.com

39" Round Recessed Dome: 1 Part with a 4½" Overall Rise





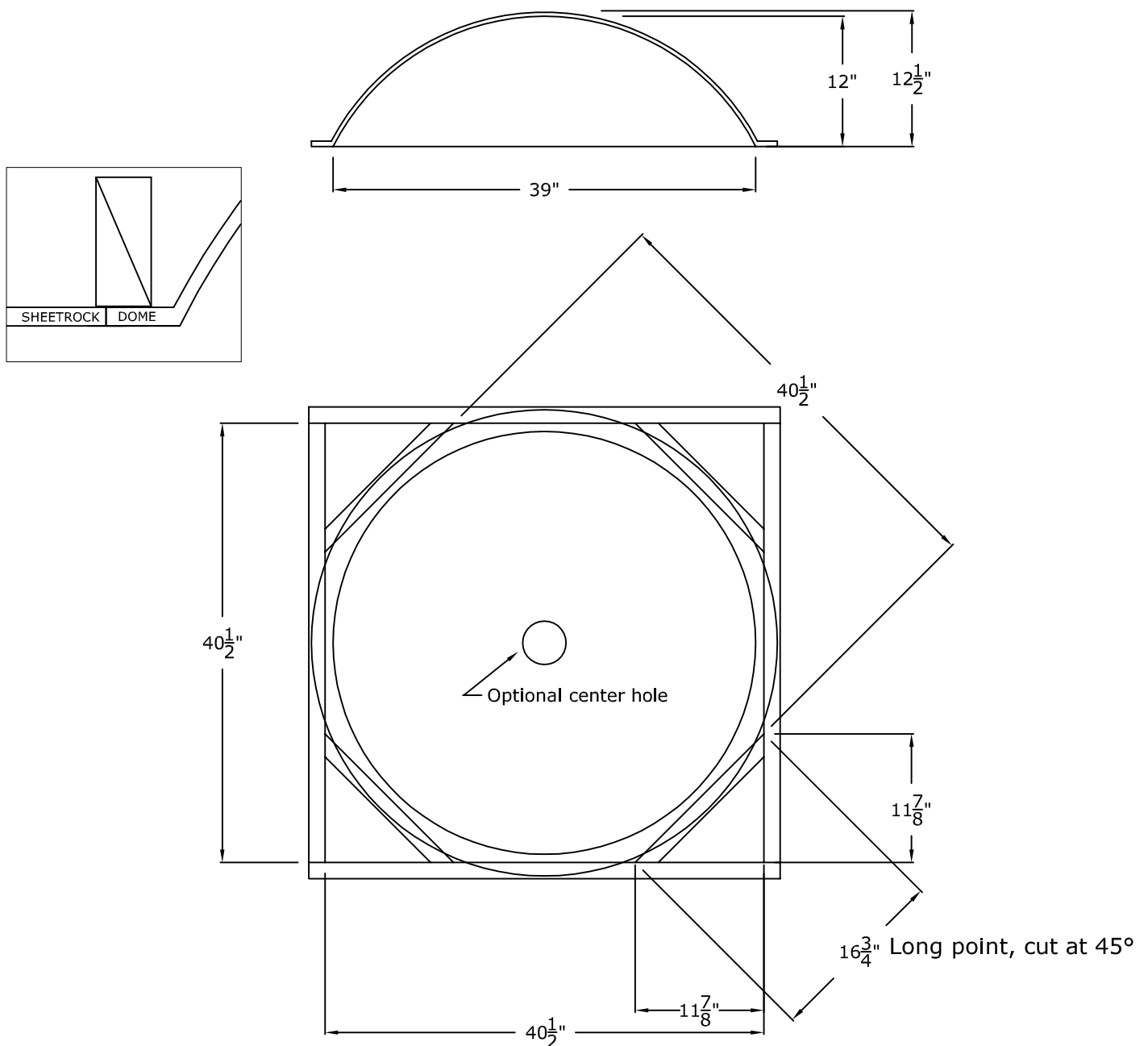
© Copyright 2018

RWM Inc.

6419 South Cottonwood Street, Murray, Utah 84107
Phone: 801-268-2400 Toll Free: 1-855-RWM-ARTS (796-2787)
Fax: 801-268-2522 E-mail: info@rwm-inc.com

Visit our website at www.rwm-inc.com

39" Round Recessed Dome: 1 Part with a $12\frac{1}{2}$ " Overall Rise



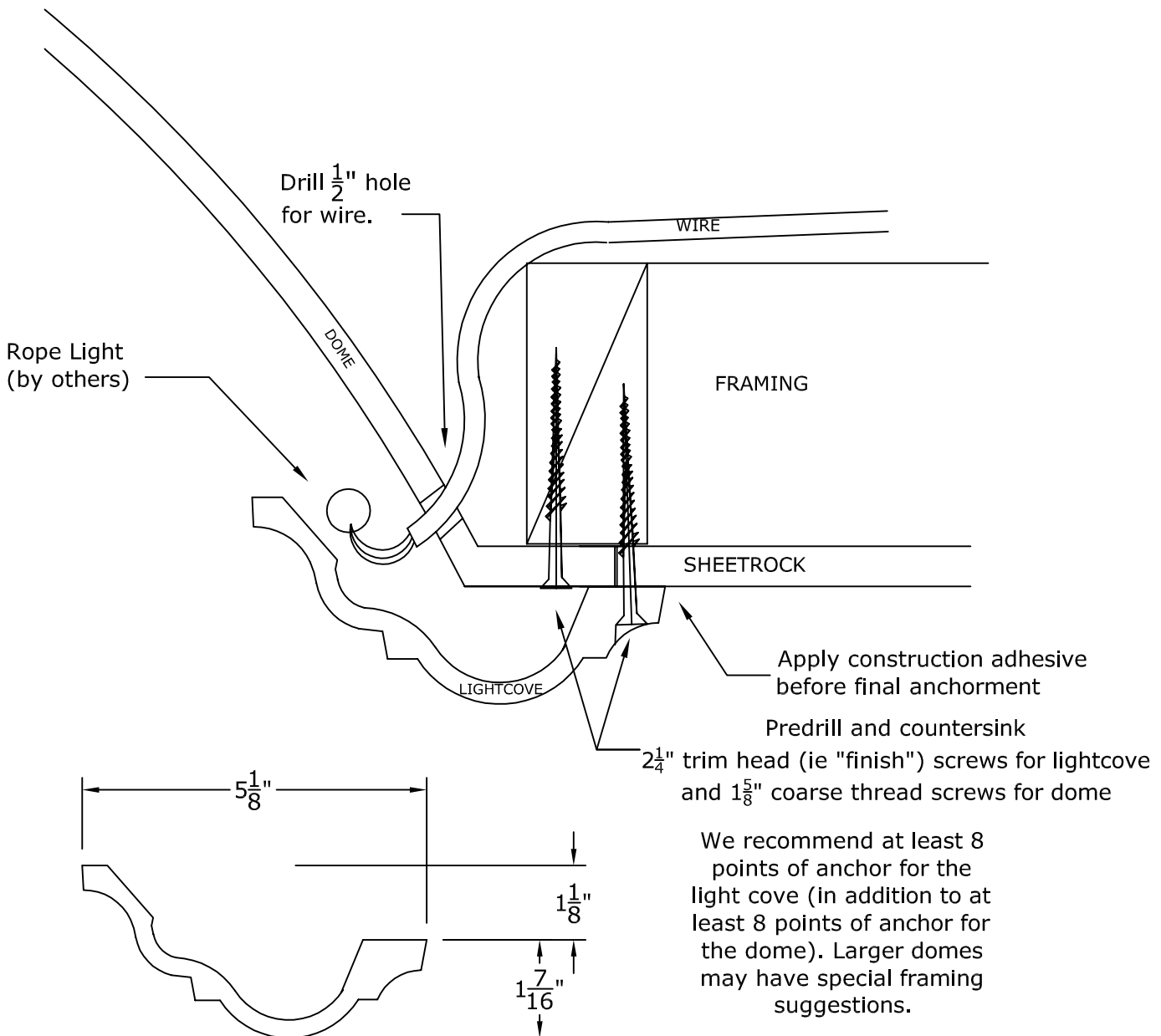


RWM Inc.

6419 South Cottonwood Street, Murray, Utah 84107
 Phone: 801-268-2400 Toll Free: 1-855-RWM-ARTS (796-2787)
 Fax: 801-268-2522 E-mail: info@rwm-inc.com

Visit our website at www.rwm-inc.com

Traditional Lightcover: For Select Smaller Domes





© Copyright 2018

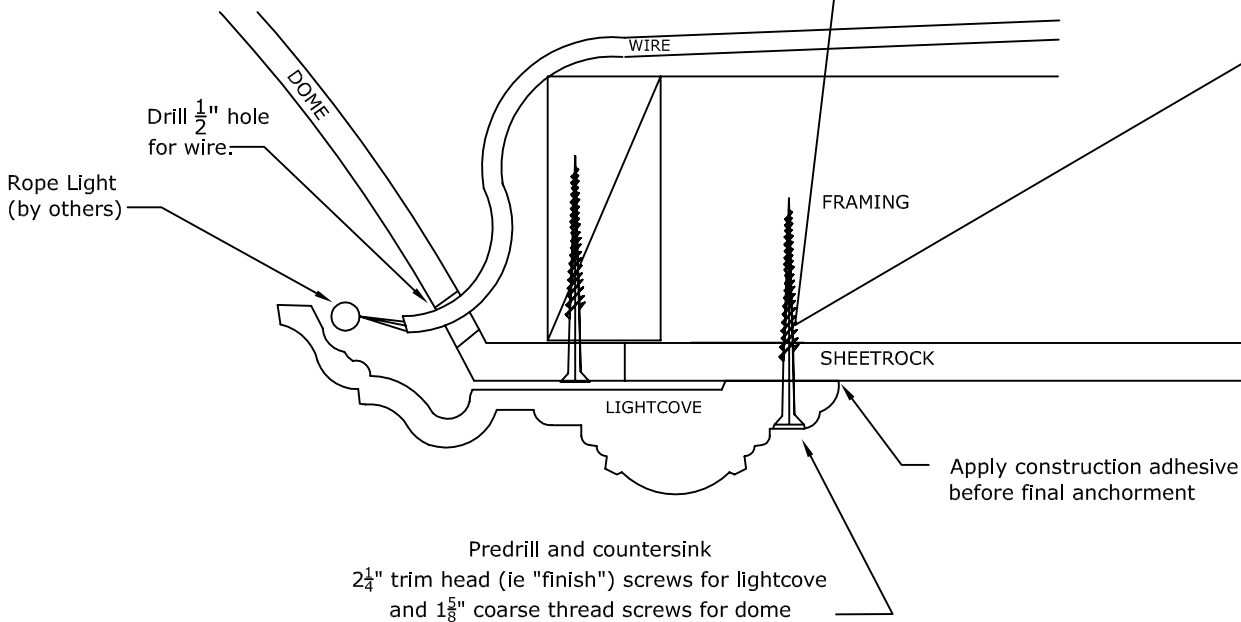
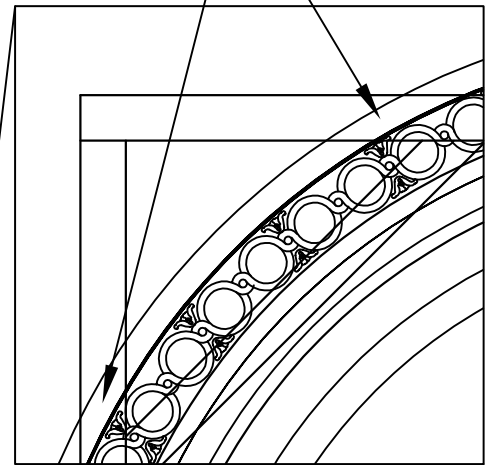
RWM Inc.

6419 South Cottonwood Street, Murray, Utah 84107
Phone: 801-268-2400 Toll Free: 1-855-RWM-ARTS (796-2787)
Fax: 801-268-2522 E-mail: info@rwm-inc.com

Visit our website at www.rwm-inc.com

Coin Lightcover: For 39" Round Recessed Dome

Mounting points
where Lightcover
crosses framing



We recommend at least 8 points of anchor for the light cove (in addition to at least 8 points of anchor for the dome).



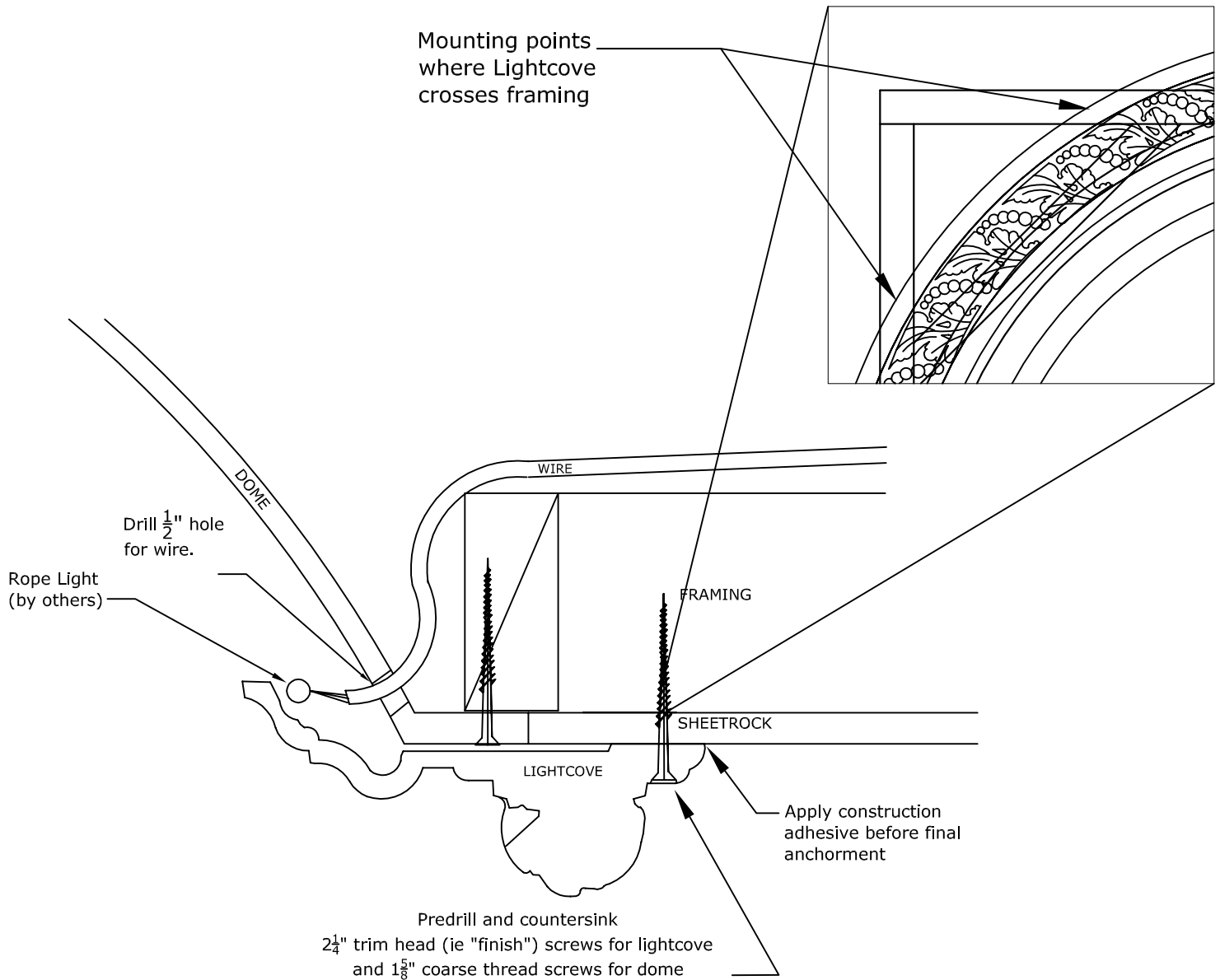
© Copyright 2018

RWM Inc.

6419 South Cottonwood Street, Murray, Utah 84107
Phone: 801-268-2400 Toll Free: 1-855-RWM-ARTS (796-2787)
Fax: 801-268-2522 E-mail: info@rwm-inc.com

Visit our website at www.rwm-inc.com

Acanthus & Pearl Lightcover: For 39" Round Recessed Dome



We recommend at least 8 points of anchor for the light cover (in addition to at least 8 points of anchor for the dome).



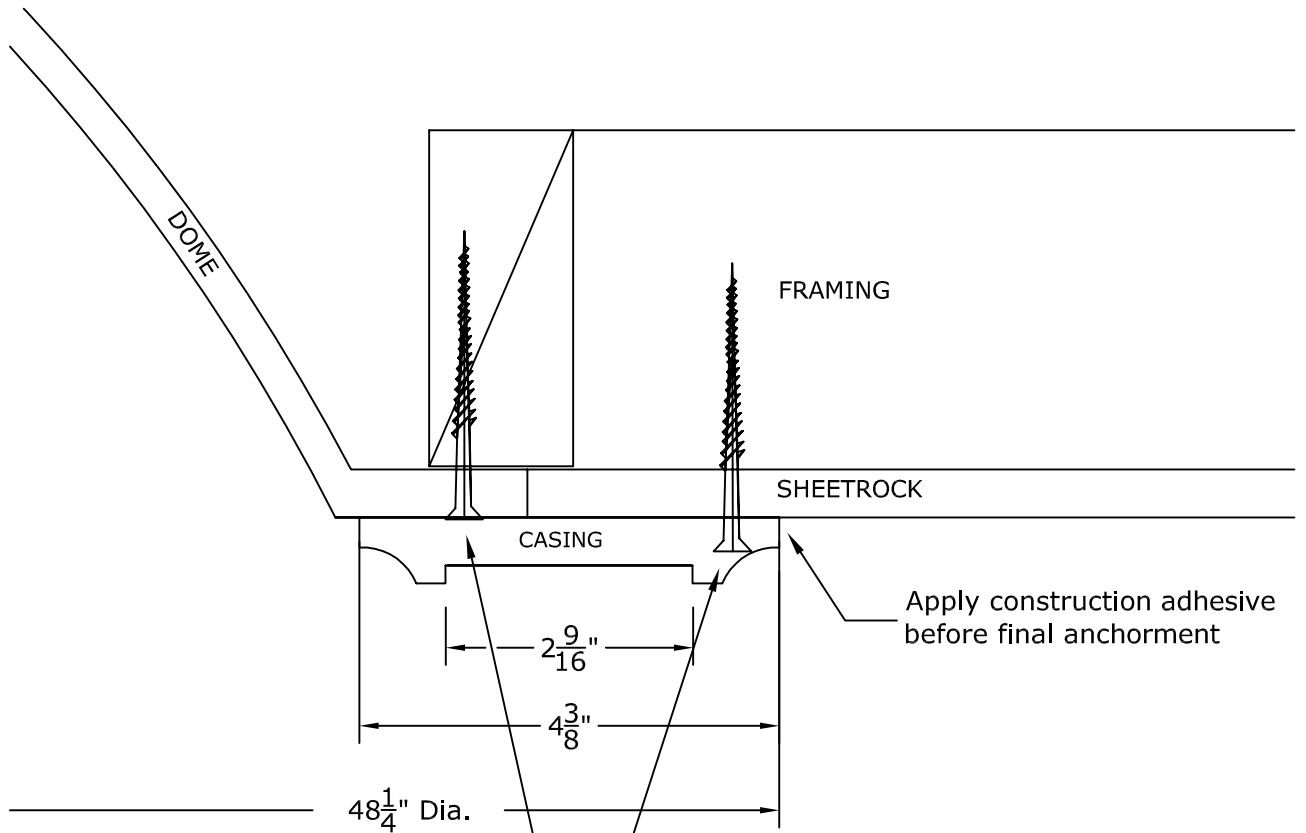
© Copyright 2018

RWM Inc.

6419 South Cottonwood Street, Murray, Utah 84107
Phone: 801-268-2400 Toll Free: 1-855-RWM-ARTS (796-2787)
Fax: 801-268-2522 E-mail: info@rwm-inc.com

Visit our website at www.rwm-inc.com

Smooth Casing: For 39" Round Recessed Dome



Predrill and countersink
 $2\frac{1}{4}$ " trim head (ie "finish") screws for casing
and $1\frac{5}{8}$ " coarse thread screws for dome

We recommend at least 8
points of anchor for the
casing (in addition to at
least 8 points of anchor for
the dome).



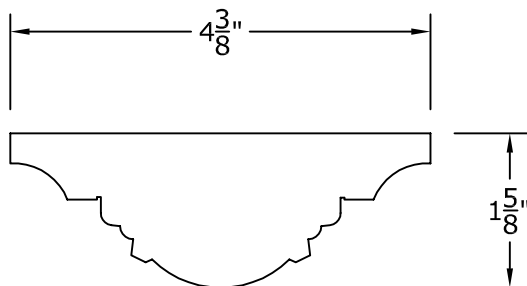
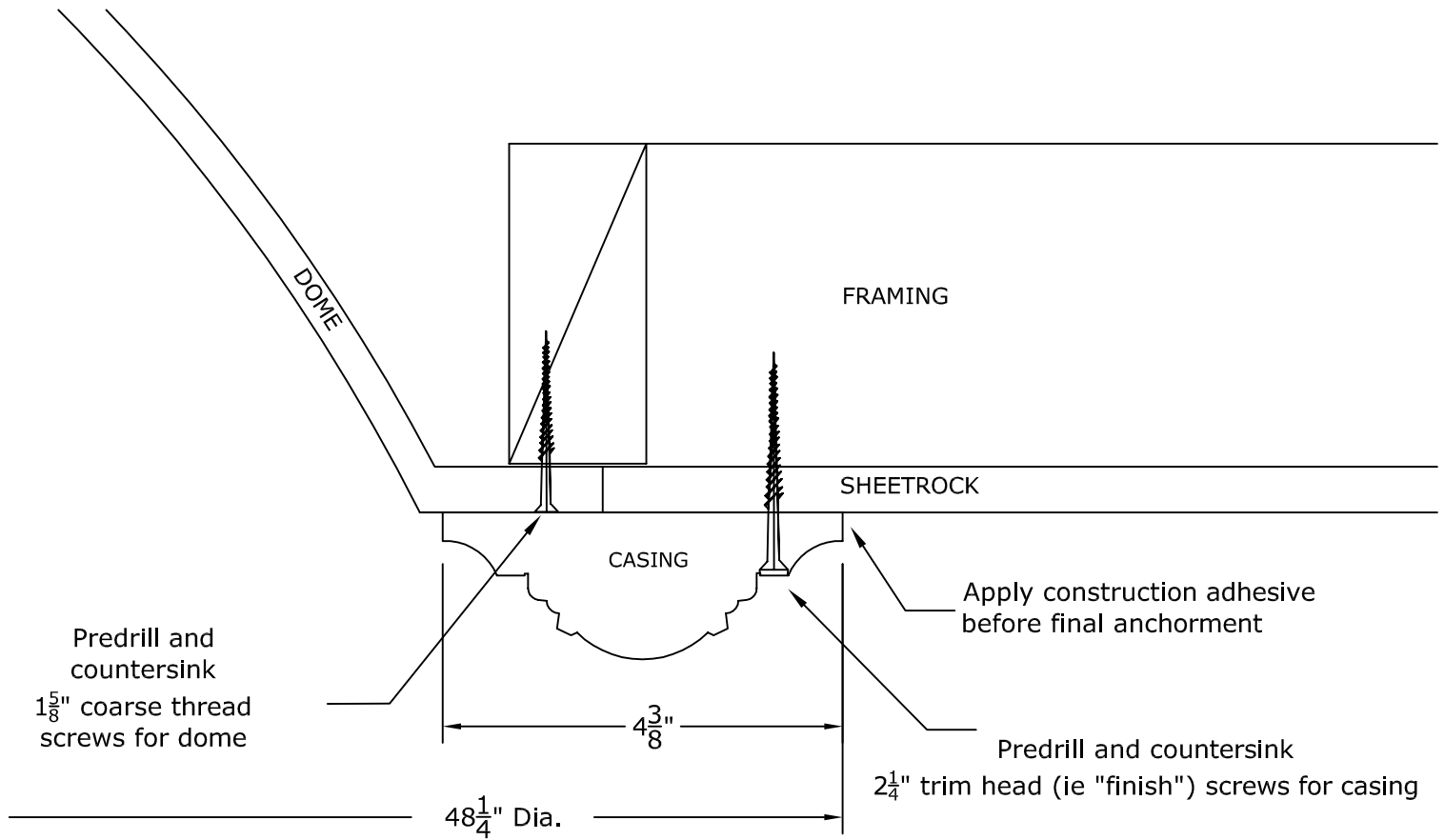
© Copyright 2018

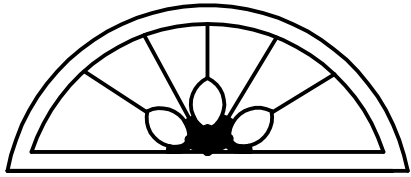
RWM Inc.

6419 South Cottonwood Street, Murray, Utah 84107
Phone: 801-268-2400 Toll Free: 1-855-RWM-ARTS (796-2787)
Fax: 801-268-2522 E-mail: info@rwm-inc.com

Visit our website at www.rwm-inc.com

Coin Casing: For 39" Round Recessed Dome





RWM®

© Copyright 2018

RWM Inc.

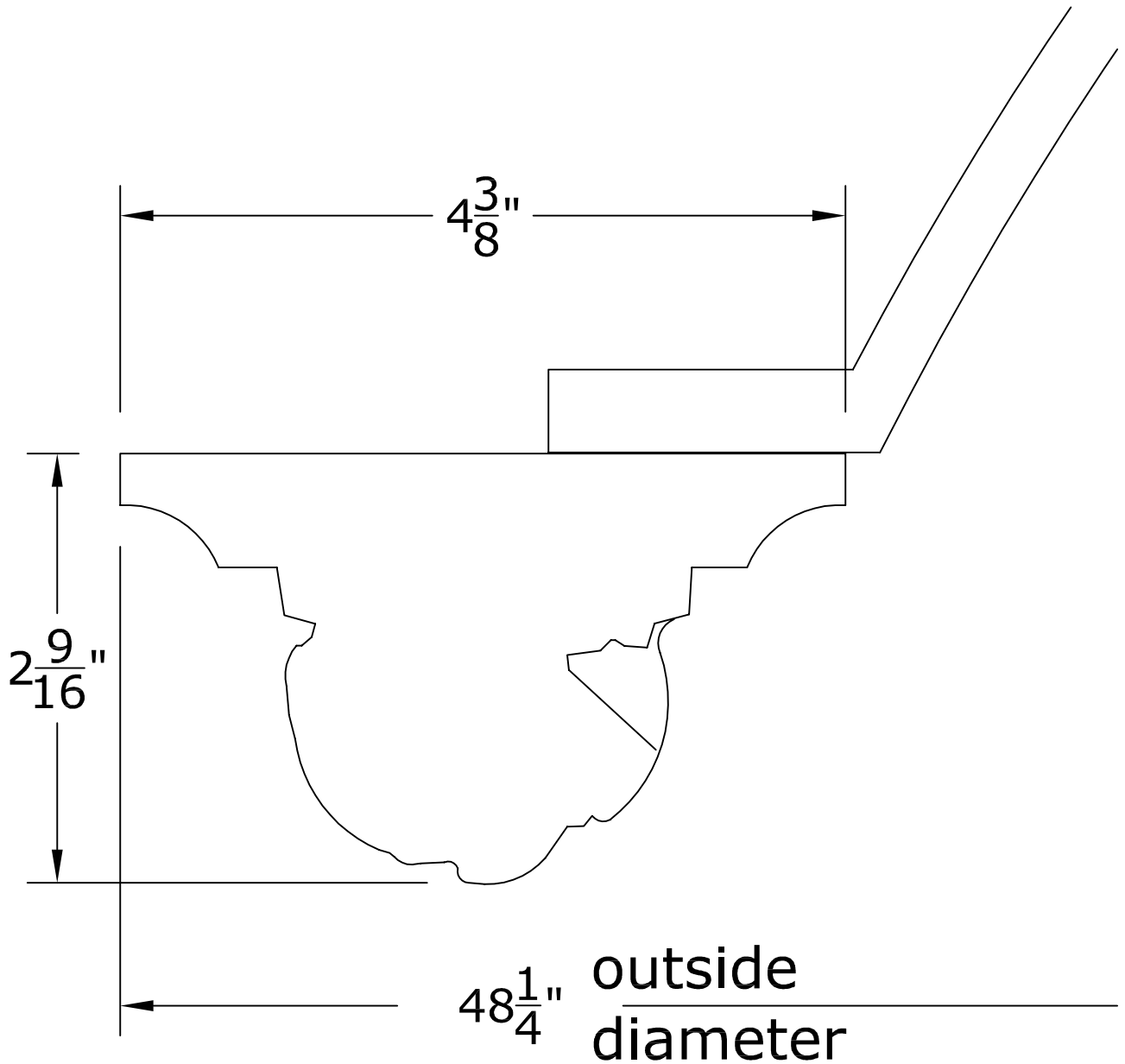
6419 South Cottonwood Street, Murray, Utah 84107

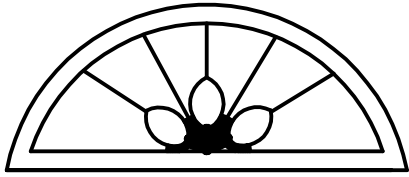
Phone: 801-268-2400 Toll Free: 1-855-RWM-ARTS (796-2787)

Fax: 801-268-2522 E-mail: info@rwm-inc.com

Visit our website at www.rwm-inc.com

Acanthus & Pearl Casing for 39" Round Recessed Dome





RWM®

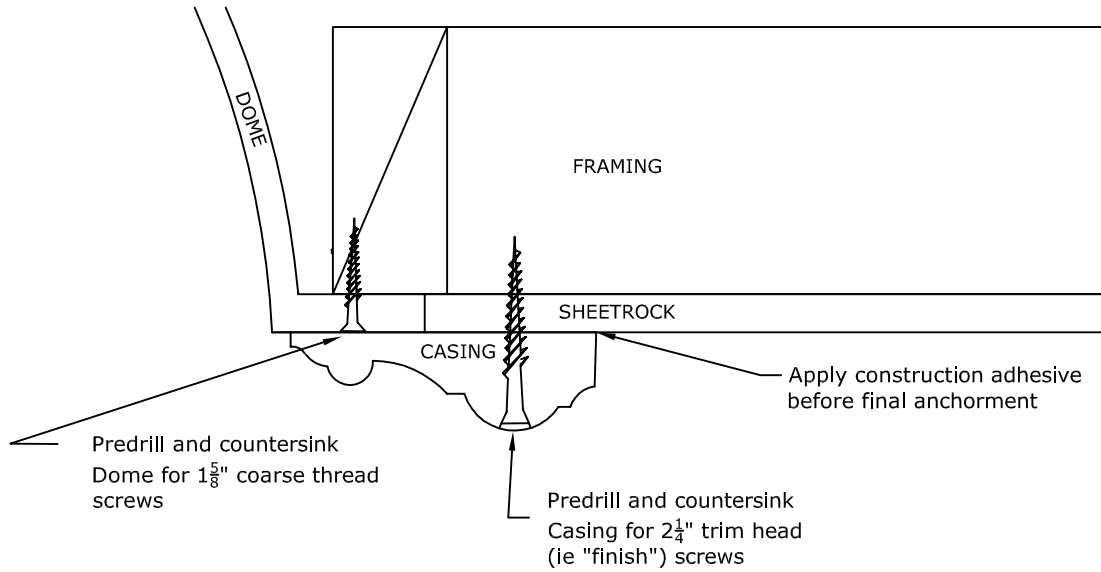
© Copyright 2018

RWM Inc.

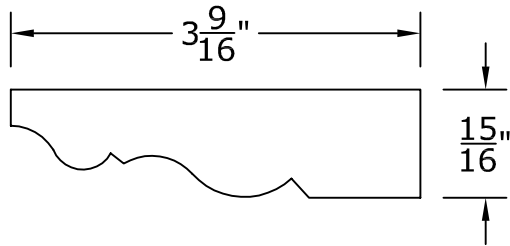
6419 South Cottonwood Street, Murray, Utah 84107
Phone: 801-268-2400 Toll Free: 1-855-RWM-ARTS (796-2787)
Fax: 801-268-2522 E-mail: info@rwm-inc.com

Visit our website at www.rwm-inc.com

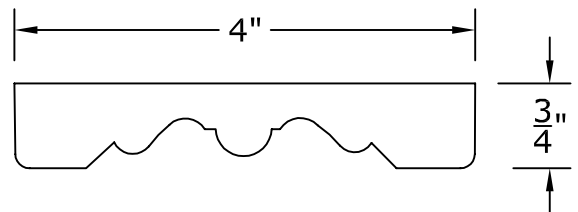
Standard Casing Profiles: For Select Domes



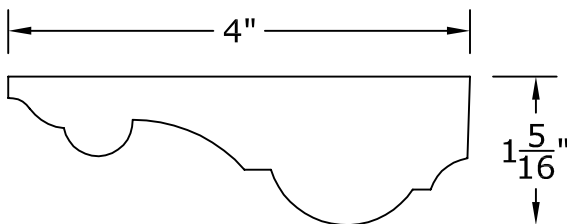
Profile 1



Profile 3



Profile 2



Profile 4

