

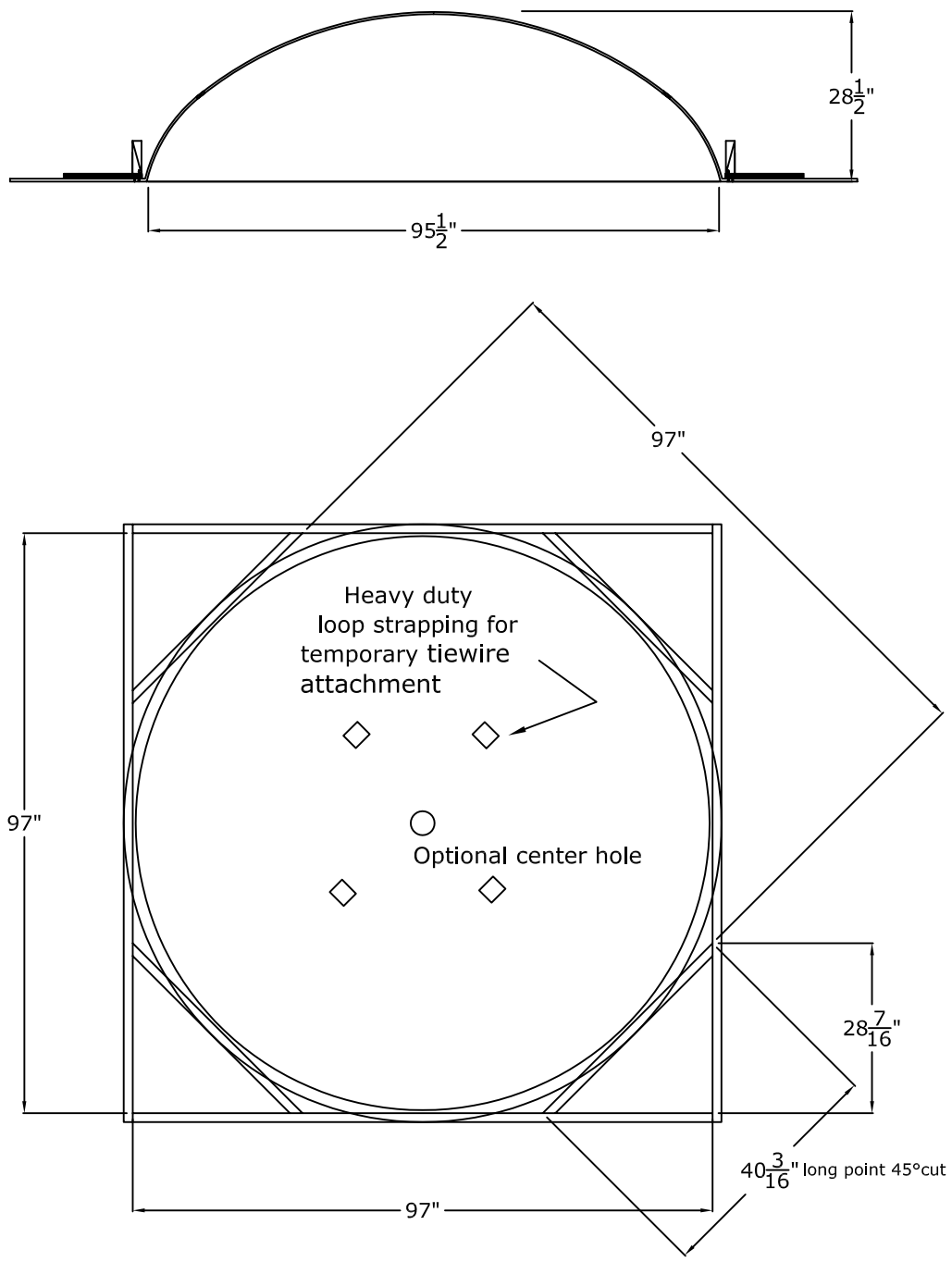


© Copyright 2012

RWM Inc.

6419 South Cottonwood Street, Murray, Utah 84107
Phone: 801-268-2400 Toll Free: 1-855-RWM-ARTS (796-2787)
Fax: 801-268-2522 E-mail: info@rwm-inc.com
Visit our website at www.rwm-inc.com

8' Round Recessed Dome: 1 Part with a 28½" Overall Rise





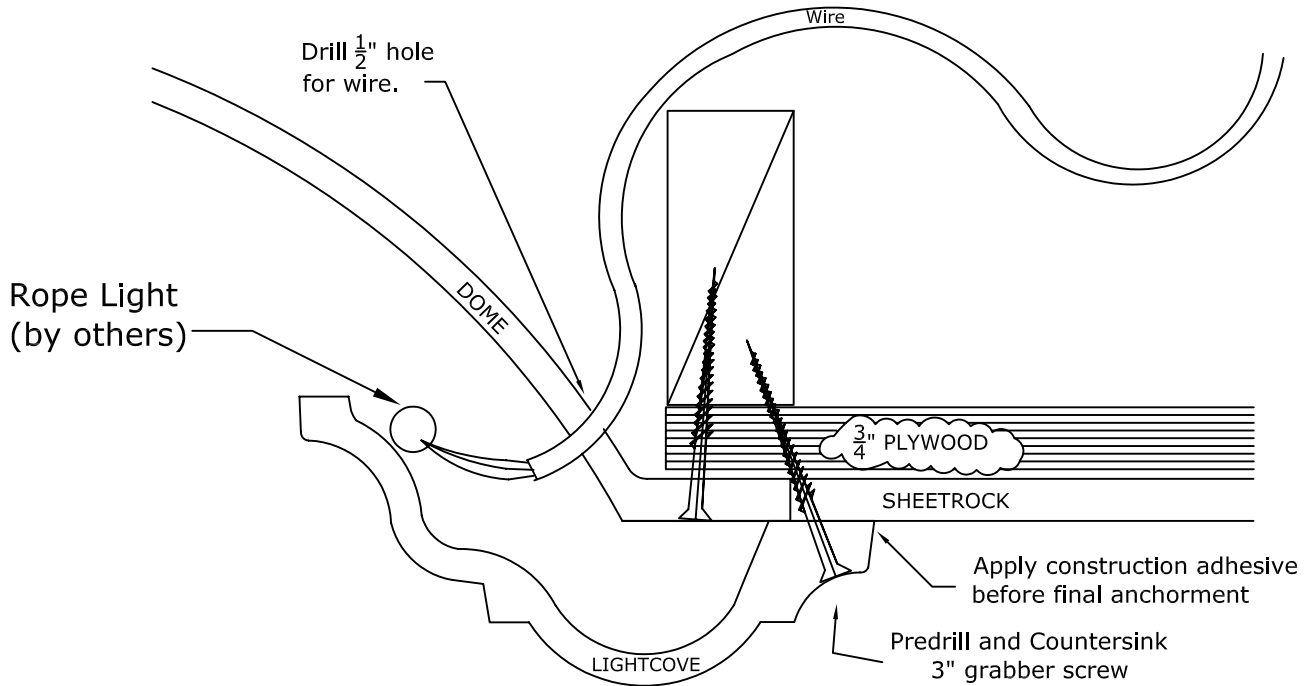
© Copyright 2012

RWM Inc.

6419 South Cottonwood Street, Murray, Utah 84107
 Phone: 801-268-2400 Toll Free: 1-855-RWM-ARTS (796-2787)
 Fax: 801-268-2522 E-mail: info@rwm-inc.com

Visit our website at www.rwm-inc.com

Standard Lightcover Detail: For Larger Round & Oval Domes



We recommend a minimum of one point of anchor every 16" on lightcover. (this is in addition to a minimum of one point of anchor every 16" for the dome bottom flange, and the recommended minimum of tiewire attachments for the dome. Check the spec sheet for your dome.)

