

RWM Inc.

6419 South Cottonwood Street, Murray, Utah 84107
Phone: 801-268-2400 Toll Free: 1-855-RWM-ARTS (796-2787)
Fax: 801-268-2522 E-mail: info@rwm-inc.com

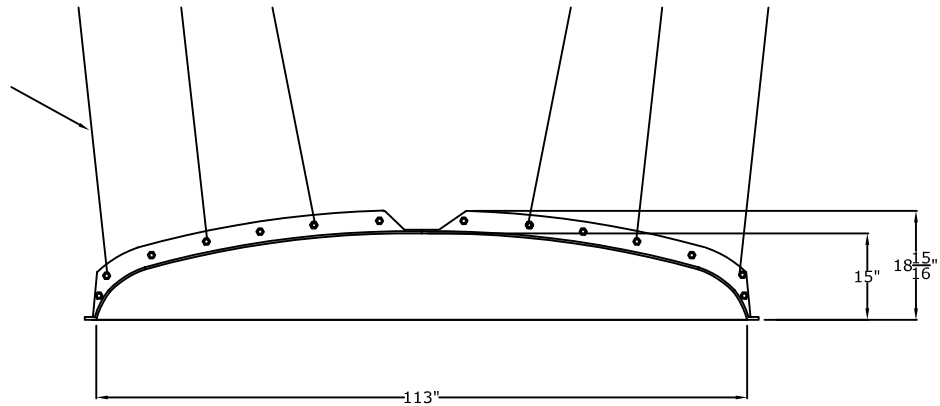
Visit our website at www.rwm-inc.com

RWM®

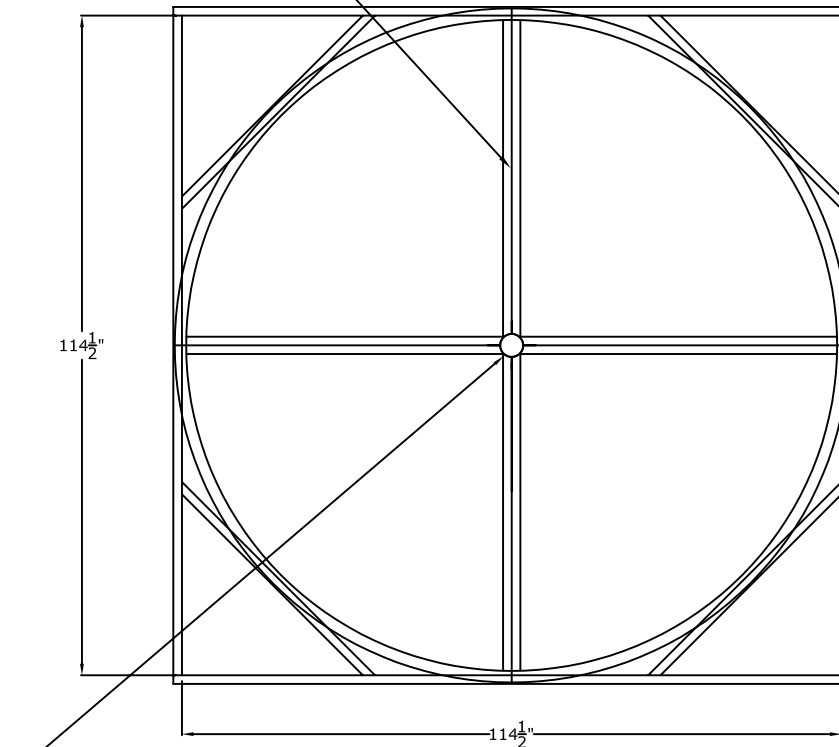
© Copyright 2012

9 Foot 5 Inch Round Recessed Dome with a 15" Inner Rise 4 Parts

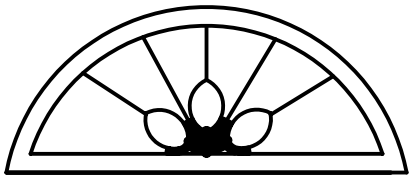
Drill through both
bolt flanges for
permanent #9
tiewire
anchorments
(we recommend
a minimum of
two per flange)



Inner seams
are recessed
for perfatape



Optional center hole



RWM®

© Copyright 2012

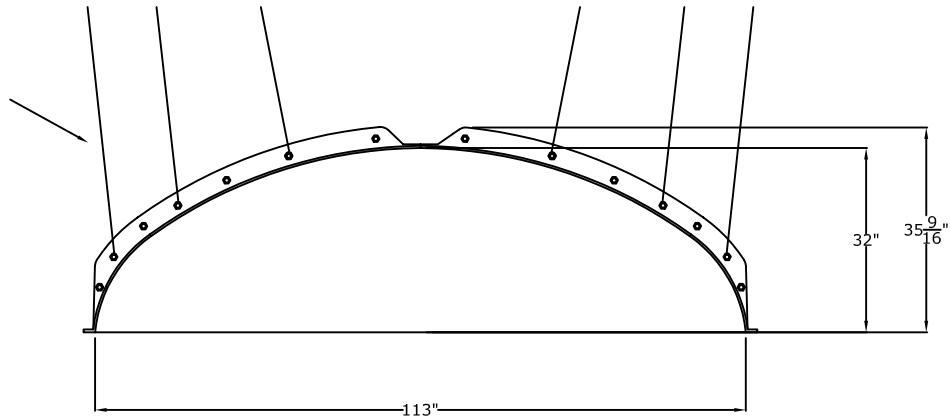
RWM Inc.

6419 South Cottonwood Street, Murray, Utah 84107
Phone: 801-268-2400 Toll Free: 1-855-RWM-ARTS (796-2787)
Fax: 801-268-2522 E-mail: info@rwm-inc.com

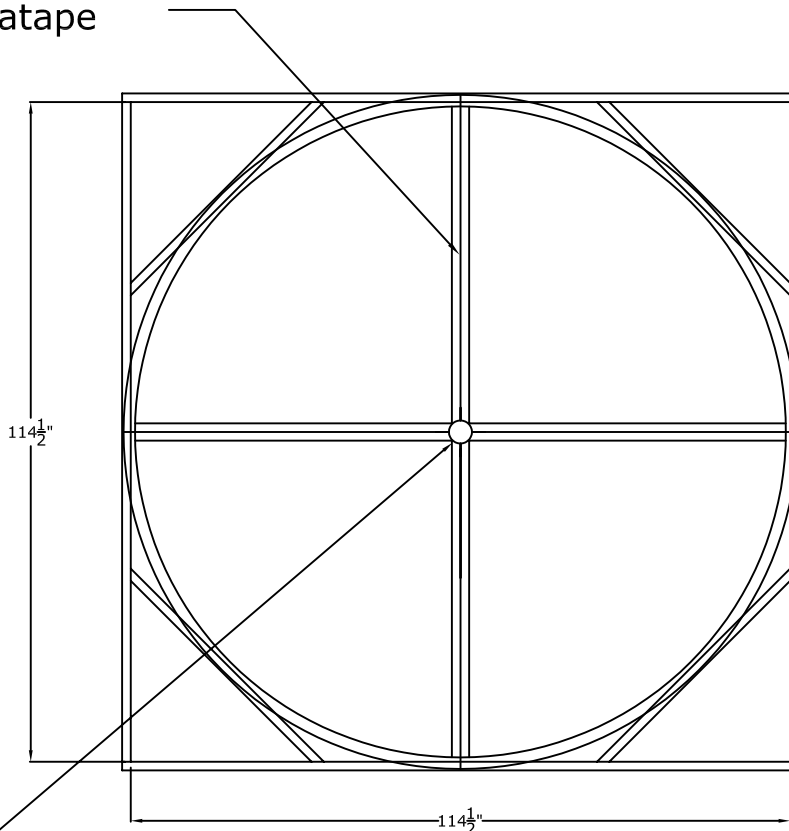
Visit our website at www.rwm-inc.com

9 Foot 5 Inch Round Recessed Dome with a 32" Inner Rise 4 Parts

Drill through both
bolt flanges for
permanent #9
tiewire
anchorments
(we recommend
a minimum of
two per flange)



Inner seams
are recessed
for perfatape



Optional center hole



© Copyright 2013

RWM Inc.

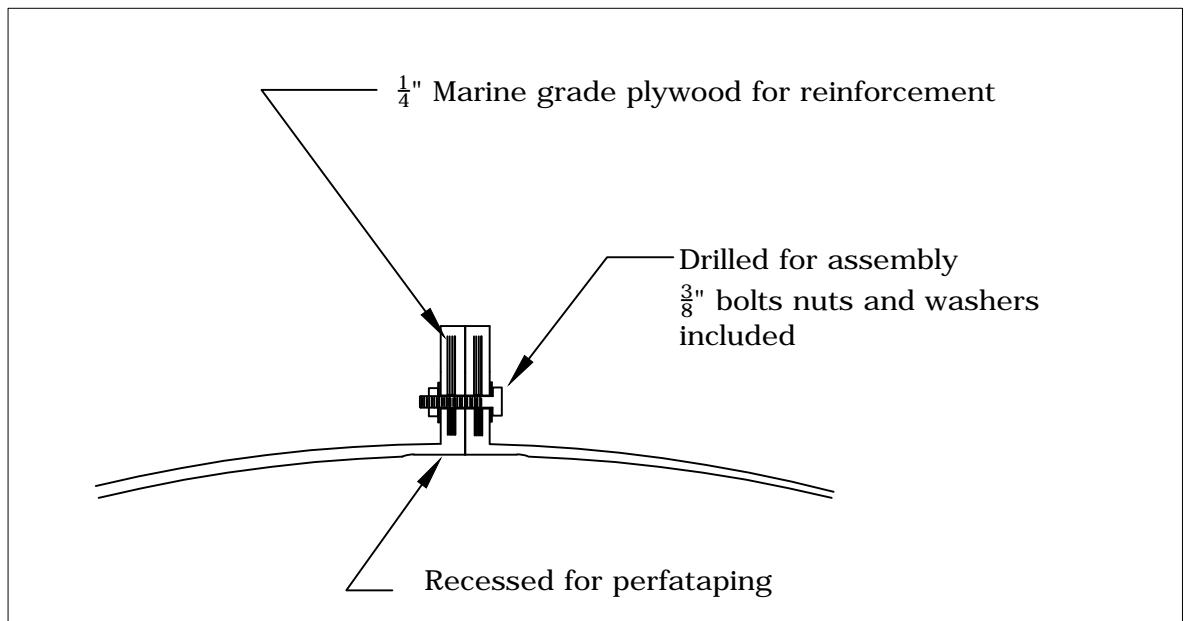
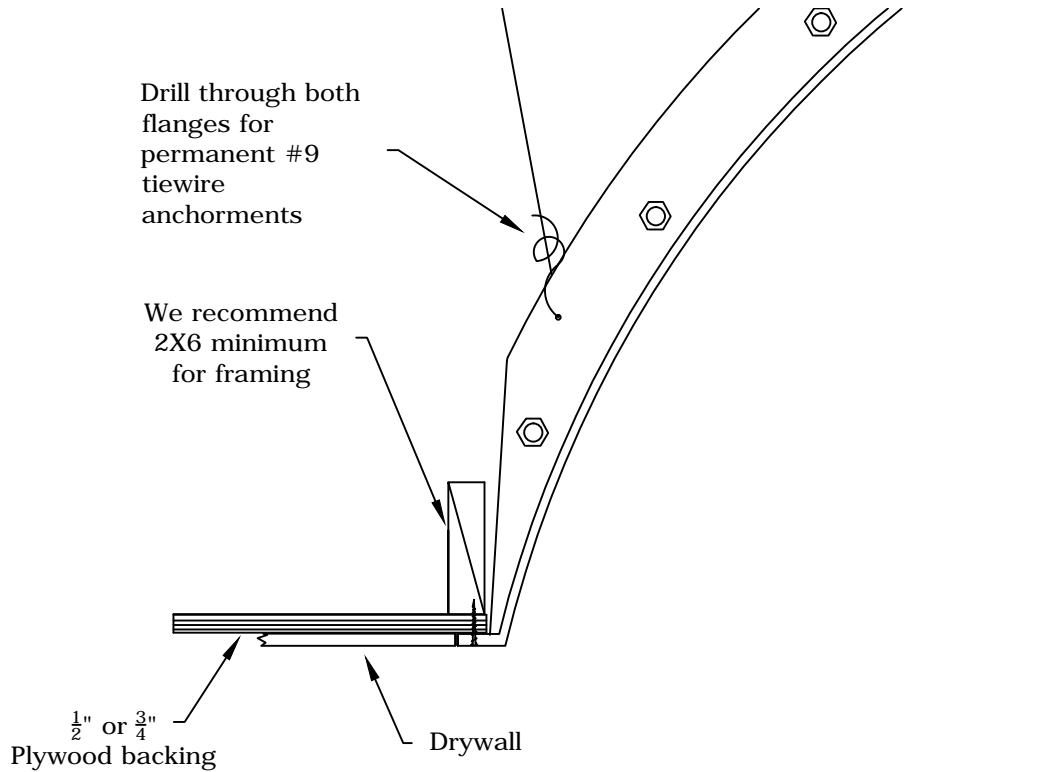
6419 South Cottonwood Street, Murray, Utah 84107

Phone: 801-268-2400 Toll Free: 1-855-RWM-ARTS (796-2787)

Fax: 801-268-2522 E-mail: info@rwm-inc.com

Visit our website at www.rwm-inc.com

Anchor Flange For Multi-Piece Domes



Bolt Flange Section



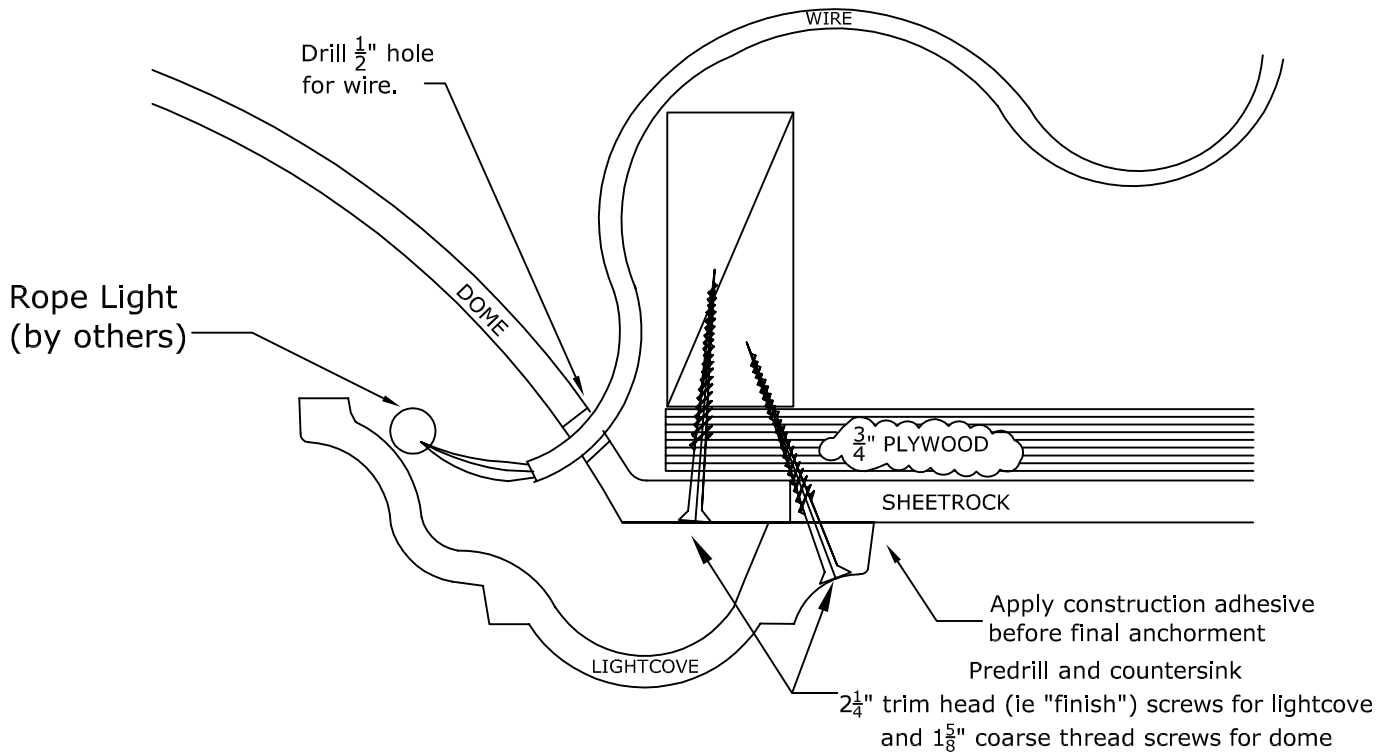
© Copyright 2017

RWM Inc.

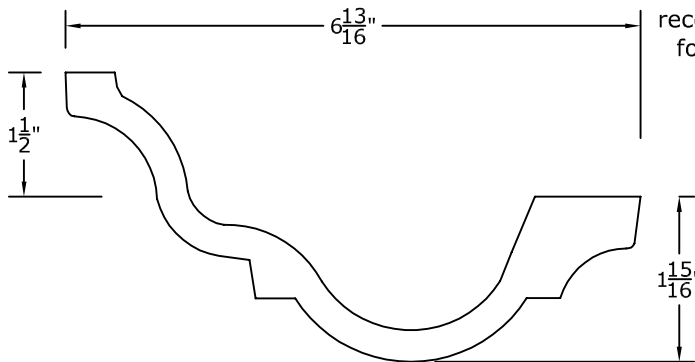
6419 South Cottonwood Street, Murray, Utah 84107
 Phone: 801-268-2400 Toll Free: 1-855-RWM-ARTS (796-2787)
 Fax: 801-268-2522 E-mail: info@rwm-inc.com

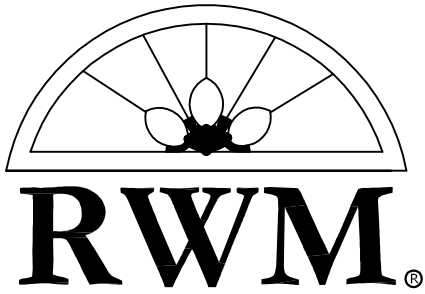
Visit our website at www.rwm-inc.com

Traditional Lightcover: For Select Larger Domes



We recommend a minimum of one point of anchor every 16" on lightcover. This is in addition to a minimum of one point of anchor every 16" for the dome bottom flange, and the recommended minimum of tiewire attachments for the dome. Check the spec sheet for your dome.





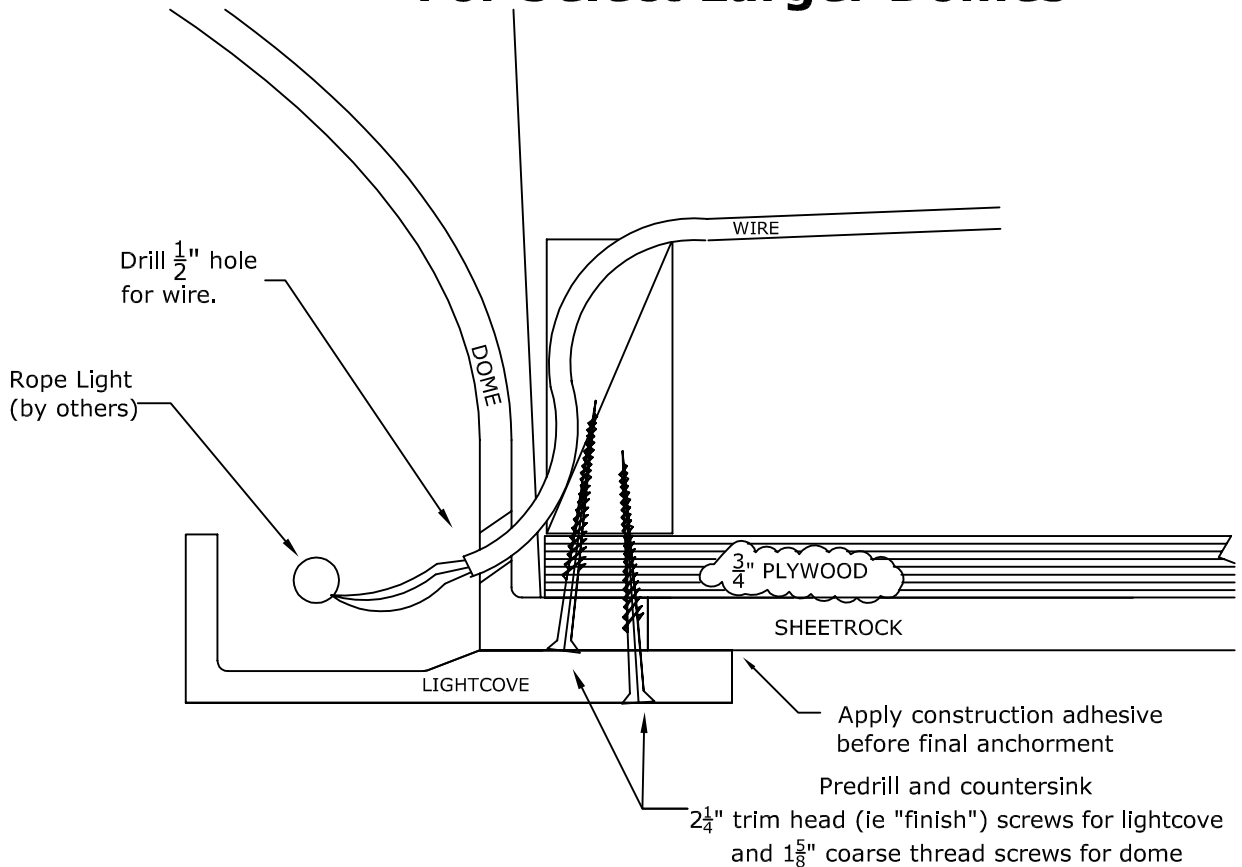
© Copyright 2017

RWM Inc.

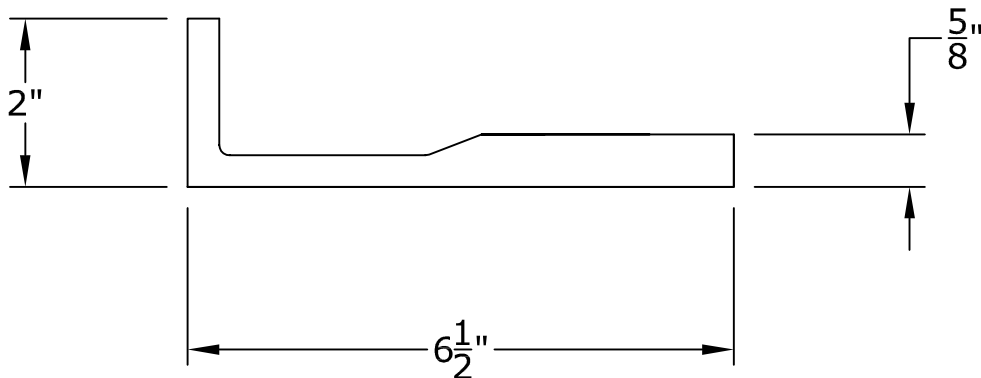
6419 South Cottonwood Street, Murray, Utah 84107
 Phone: 801-268-2400 Toll Free: 1-855-RWM-ARTS (796-2787)
 Fax: 801-268-2522 E-mail: info@rwm-inc.com

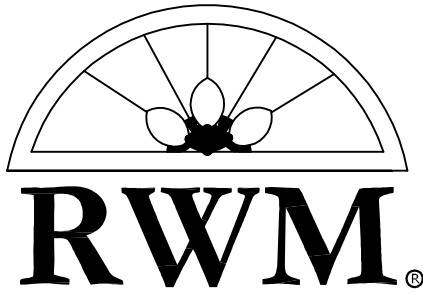
Visit our website at www.rwm-inc.com

Contemporary Lightcover: For Select Larger Domes



We recommend a minimum of one point of anchor every 16" on lightcover. This is in addition to a minimum of one point of anchor every 16" for the dome bottom flange, and the recommended minimum of tie wire attachments for the dome. Check the spec sheet for your dome.





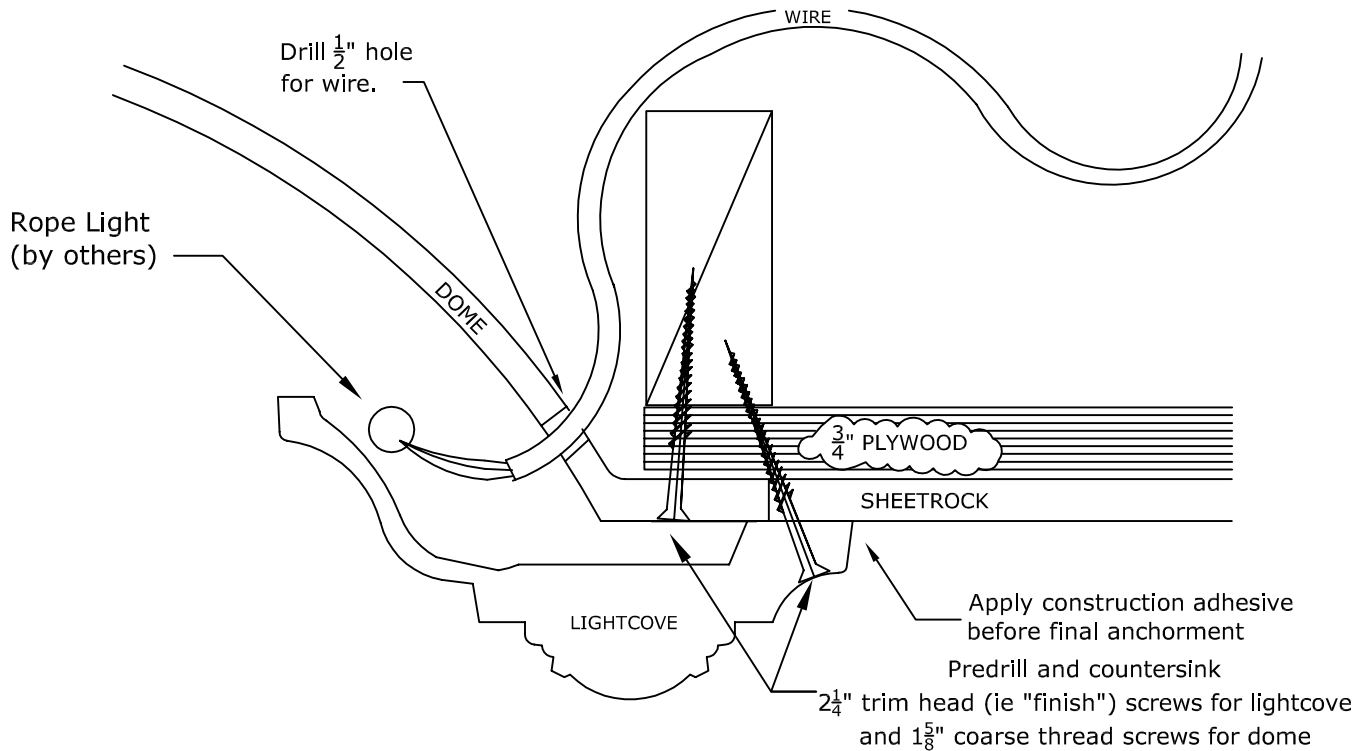
© Copyright 2017

RWM Inc.

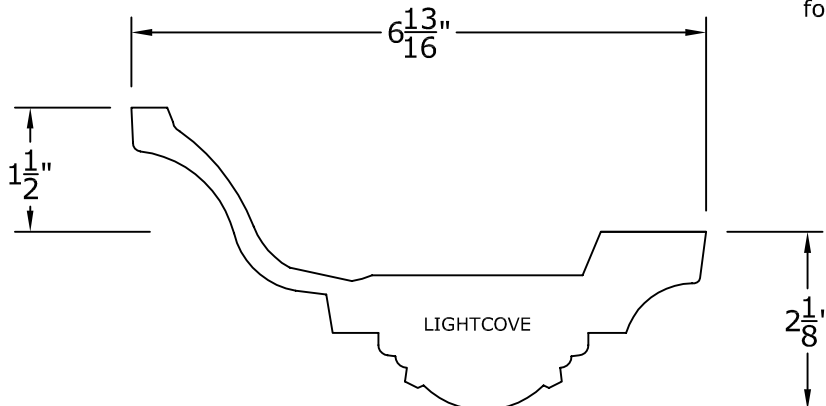
6419 South Cottonwood Street, Murray, Utah 84107
 Phone: 801-268-2400 Toll Free: 1-855-RWM-ARTS (796-2787)
 Fax: 801-268-2522 E-mail: info@rwm-inc.com

Visit our website at www.rwm-inc.com

Coin Lightcover: For Select Larger Domes



We recommend a minimum of one point of anchor every 16" on lightcover. This is in addition to a minimum of one point of anchor every 16" for the dome bottom flange, and the recommended minimum of tie wire attachments for the dome. Check the spec sheet for your dome.



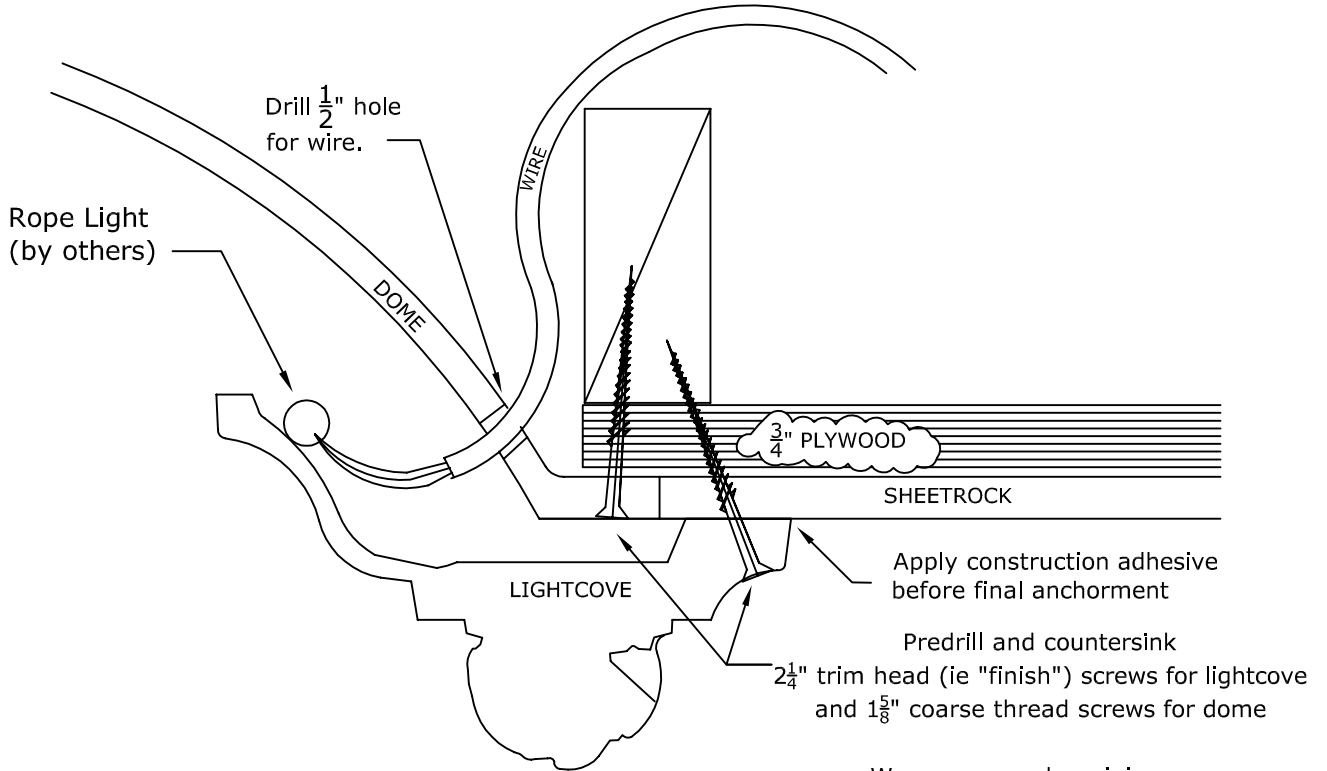


RWM Inc.

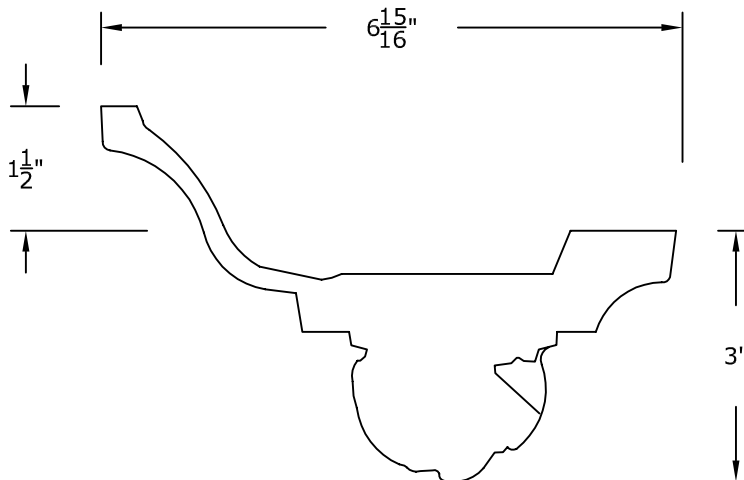
6419 South Cottonwood Street, Murray, Utah 84107
 Phone: 801-268-2400 Toll Free: 1-855-RWM-ARTS (796-2787)
 Fax: 801-268-2522 E-mail: info@rwm-inc.com

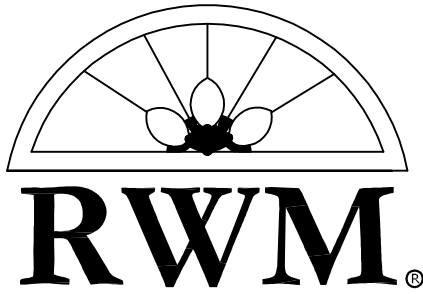
Visit our website at www.rwm-inc.com

Acanthus Leaf & Pearl Lightcover: For Select Larger Domes



We recommend a minimum of one point of anchor every 16" on lightcover. This is in addition to a minimum of one point of anchor every 16" for the dome bottom flange, and the recommended minimum of tiewire attachments for the dome. Check the spec sheet for your dome.





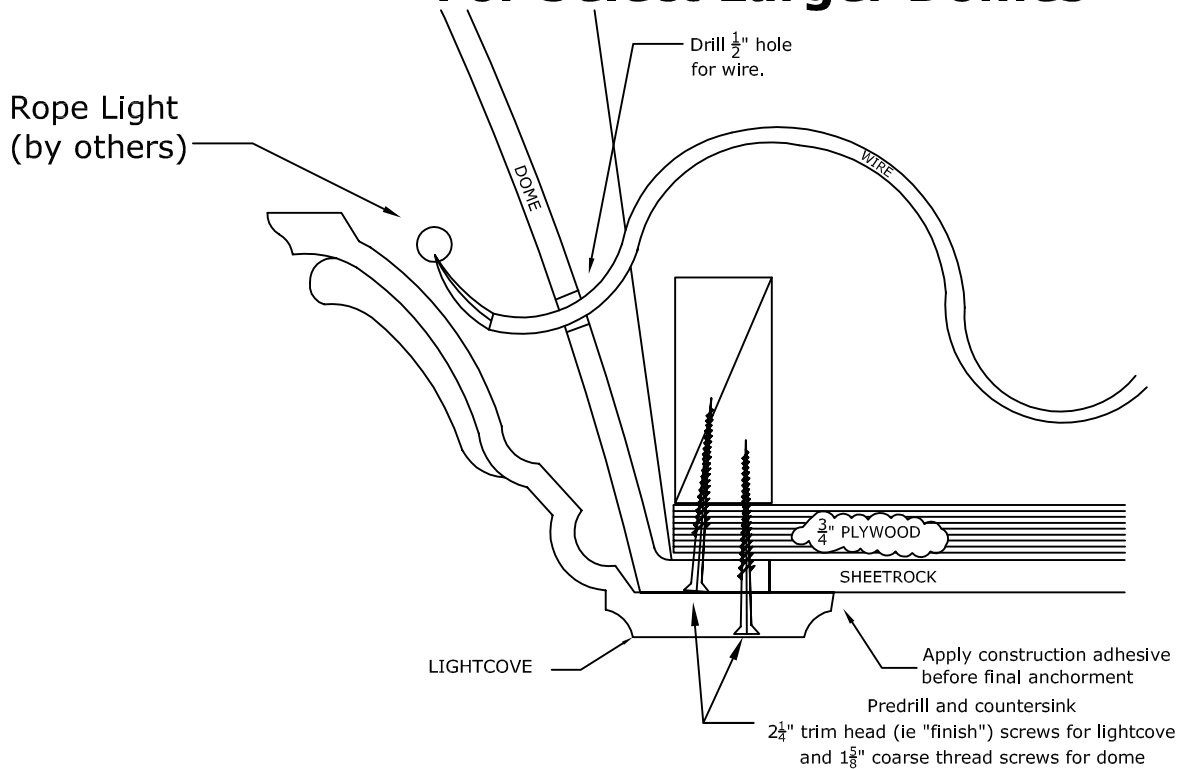
© Copyright 2017

RWM Inc.

6419 South Cottonwood Street, Murray, Utah 84107
 Phone: 801-268-2400 Toll Free: 1-855-RWM-ARTS (796-2787)
 Fax: 801-268-2522 E-mail: info@rwm-inc.com

Visit our website at www.rwm-inc.com

Acanthus Leaf Lightcover: For Select Larger Domes



We recommend a minimum of one point of anchor every 16" on lightcover. This is in addition to a minimum of one point of anchor every 16" for the dome bottom flange, and the recommended minimum of tiewire attachments for the dome. Check the spec sheet for your dome.

