



## RWM Inc.

6419 South Cottonwood Street • Murray, Utah 84107

Phone: 801.268.2400 • Fax: 801.268.2522

E-mail: [info@rwm-inc.com](mailto:info@rwm-inc.com)

Visit our Website at [www.rwm-inc.com](http://www.rwm-inc.com)

## Installation Ideas for Ceiling Medallions and 39" to 64" Surface Mount Domes

Last Updated: 4/14/2022

**WARNING!** If you have any physical limitation or condition, consult your physician. Always obtain assistance before lifting and setting medallions and domes into place. These are general ideas only, and should never supersede safety, common sense, or applicable laws and regulations. Carefully consult qualified installation specialist(s) before installing these products. RWM Inc. assumes no liability for accidents or improper installations.

**We're Here to Help!** Every person processes information differently. If you have any questions or concerns, please call us at 801-268-2400. We'll gladly connect you with an installer who can walk you through it, and give you any tips or pointers that might be helpful for your situation.

**Tools Needed:** Tape measure, a pencil, chalk line, 1/8" drill bit, countersink, eye protection, four 2" course thread screws (ie. grabbers) for medallions and 39" surface mount domes or ten 3" grabbers for 64" surface mount domes, construction adhesive, 35-year, latex-siliconized caulk, and sand paper.

**Material Handling:** When you unload your products from the crate, always carry the product on edge rather than flat, ensure the product stays straight, rack it straight and upright when storing it. Never store product on an uneven surface, or leaned against something, as product can gain a memory called "cold creep" (this is especially applicable in areas with high humidity).

- 1.** Hold the medallion/dome up centered on your light fixture and, using a pencil, lightly trace the outer diameter onto the ceiling.
- 2.** You'll need to set the medallion/dome down for a moment, so go ahead and make a light reference mark on the ceiling and medallion/dome so you can realign it in the same spot again. Then take the medallion/dome down for a moment.
- 3.** Just inside your traced circle, use a stud finder (or nail) and locate where the ceiling joists are to figure out points of anchor to secure it to the ceiling (4 points for medallions and 39" surface mount domes or 8-10 points for 64" surface mount domes). Mark those points with your pencil and transfer

those marks just outside your traced circle (so you'll know where to mark your medallion/dome when you hold it up again).

**4.** Hold your medallion/dome back up to the ceiling, with the reference points lined up, and transfer those anchor points to the medallion/dome with your pencil.

**5.** Take the medallion/dome down again and drill a hole through the medallion/dome at each of those four points using a 1/8" drill bit about 1/2" from the outer edge (ideally drill in the cove of the detail, for easier filling and sanding).

**6.** Countersink each drill hole enough so that the screw head will be just below the surface of the medallion/dome.

**7.** Apply a 1/4" bead of construction adhesive (ie. glue) all the way around the outer flange of the medallion/dome (the part that will sit against the drywall).

**8.** Lift the medallion/dome back up and line it up with your reference points and four points of anchor.

**9.** Screw the medallion/dome into place. We typically recommend 2" screws for our medallions and 39" surface mount domes, and 3" screws for our 64" surface mount domes.

**10.** Fill and sand screw holes, and lightly sand the entire surface.

**11.** Use a 35-year, latex-siliconized caulk (or painter's caulk) to caulk the outer parameter of the medallion/dome to the ceiling. You should now be ready for a primer coat and painting.



© Copyright 2022

## RWM Inc.

6419 South Cottonwood Street, Murray, Utah 84107

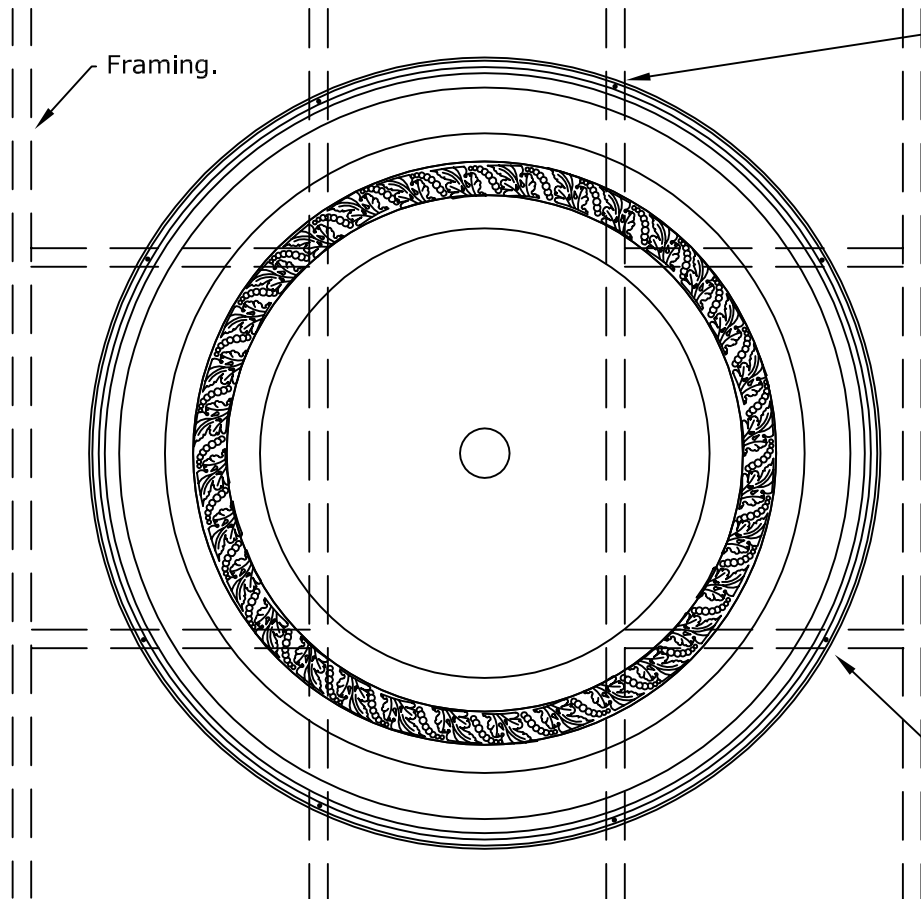
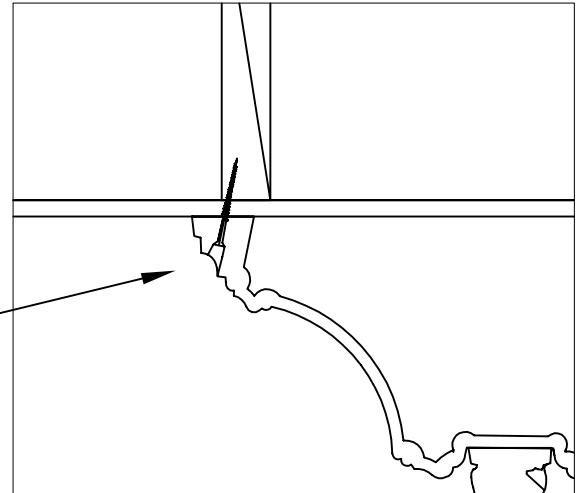
Phone: 801-268-2400 Fax: 801-268-2522

E-mail: [info@rwm-inc.com](mailto:info@rwm-inc.com)

Visit our website at [www.rwm-inc.com](http://www.rwm-inc.com)

## 64" Surface Mount Dome: Install Layout Suggestions

When predrilling holes through product, note angle of hole so that screw goes into framing.  
Countersink all screws to a depth that allows the holes to be prepped for paint.



After you have marked all mounting points and a reference point to realign the dome to, predrill (1/8" bit) and countersink (1/4" bit), apply glue (construction adhesive) to flange, and mount to ceiling using 2-1/4" finish screws at all 8 framing points.  
Call us if you cannot hit a solid 8 framing points, or if you have any other questions.

Place new backing as needed to achieve 8 points of anchor.