

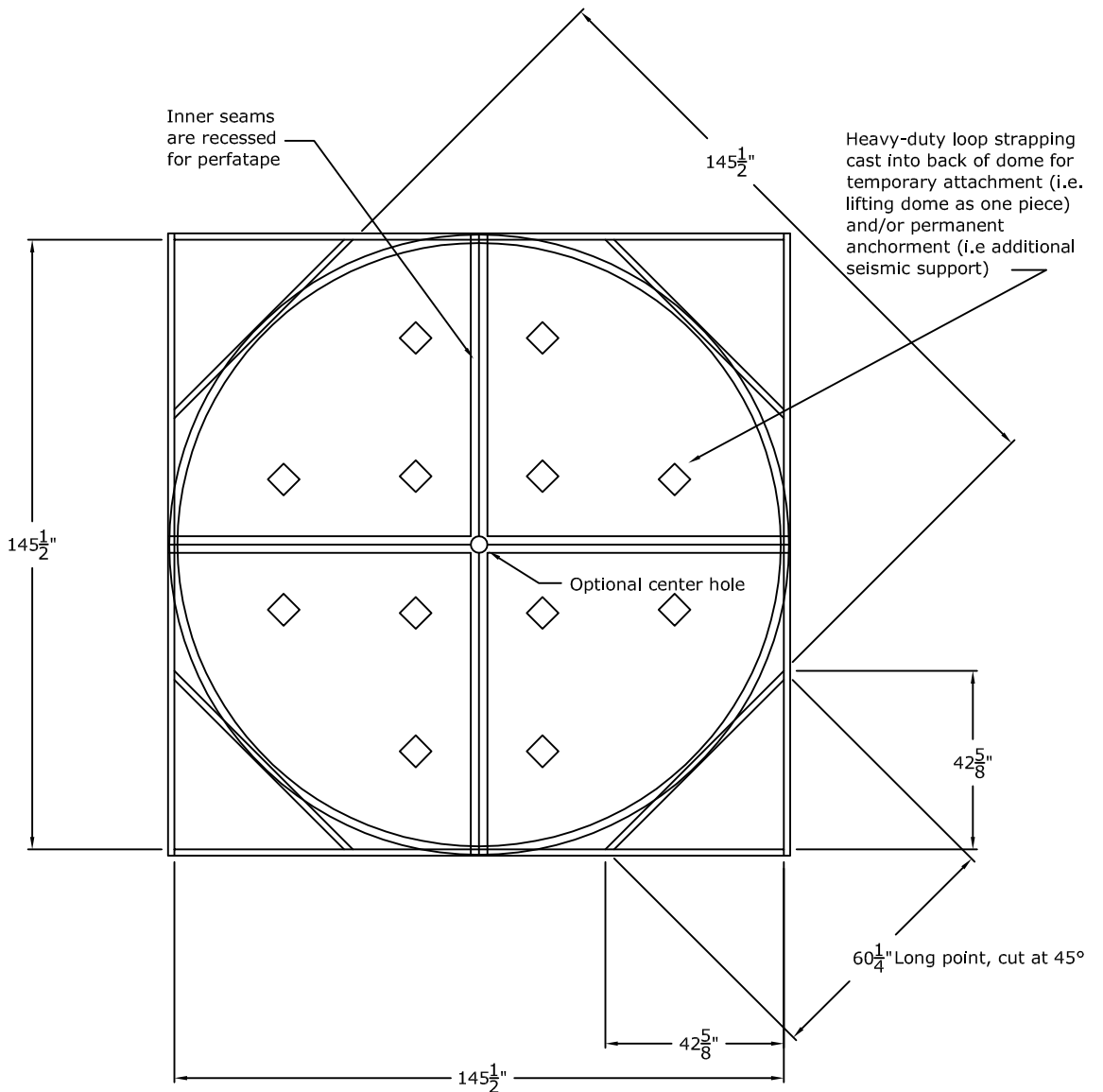
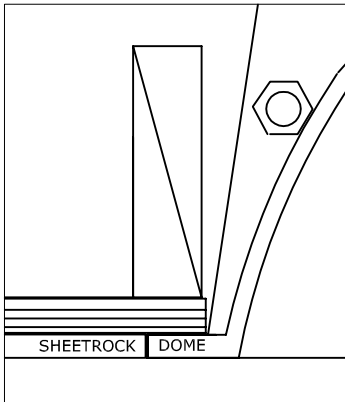
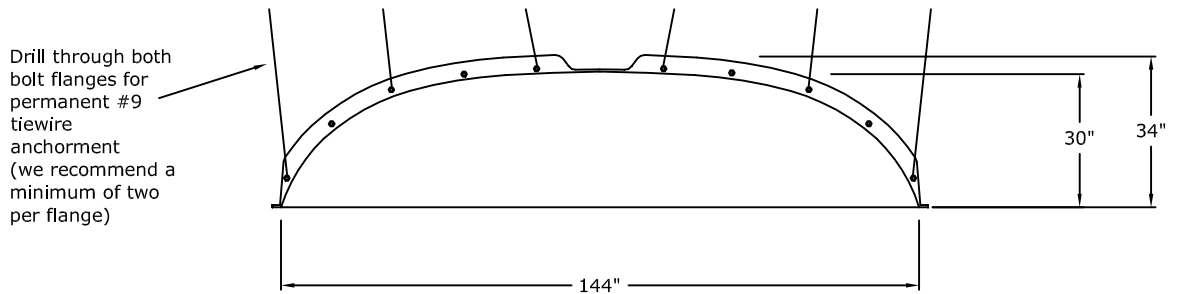
© Copyright 2018

RWM Inc.

6419 South Cottonwood Street, Murray, Utah 84107
 Phone: 801-268-2400 Toll Free: 1-855-RWM-ARTS (796-2787)
 Fax: 801-268-2522 E-mail: info@rwm-inc.com

Visit our website at www.rwm-inc.com

12' Round Recessed Dome: 4 Parts with a 34" Overall Rise





© Copyright 2018

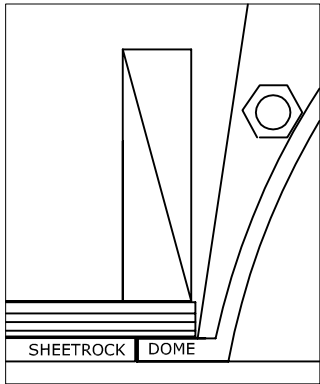
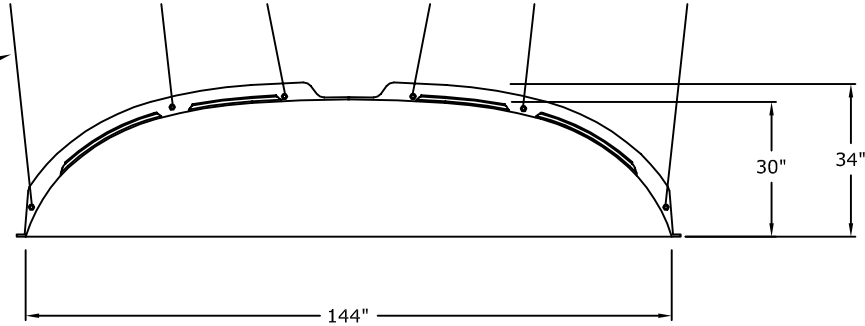
RWM Inc.

6419 South Cottonwood Street, Murray, Utah 84107
 Phone: 801-268-2400 Toll Free: 1-855-RWM-ARTS (796-2787)
 Fax: 801-268-2522 E-mail: info@rwm-inc.com

Visit our website at www.rwm-inc.com

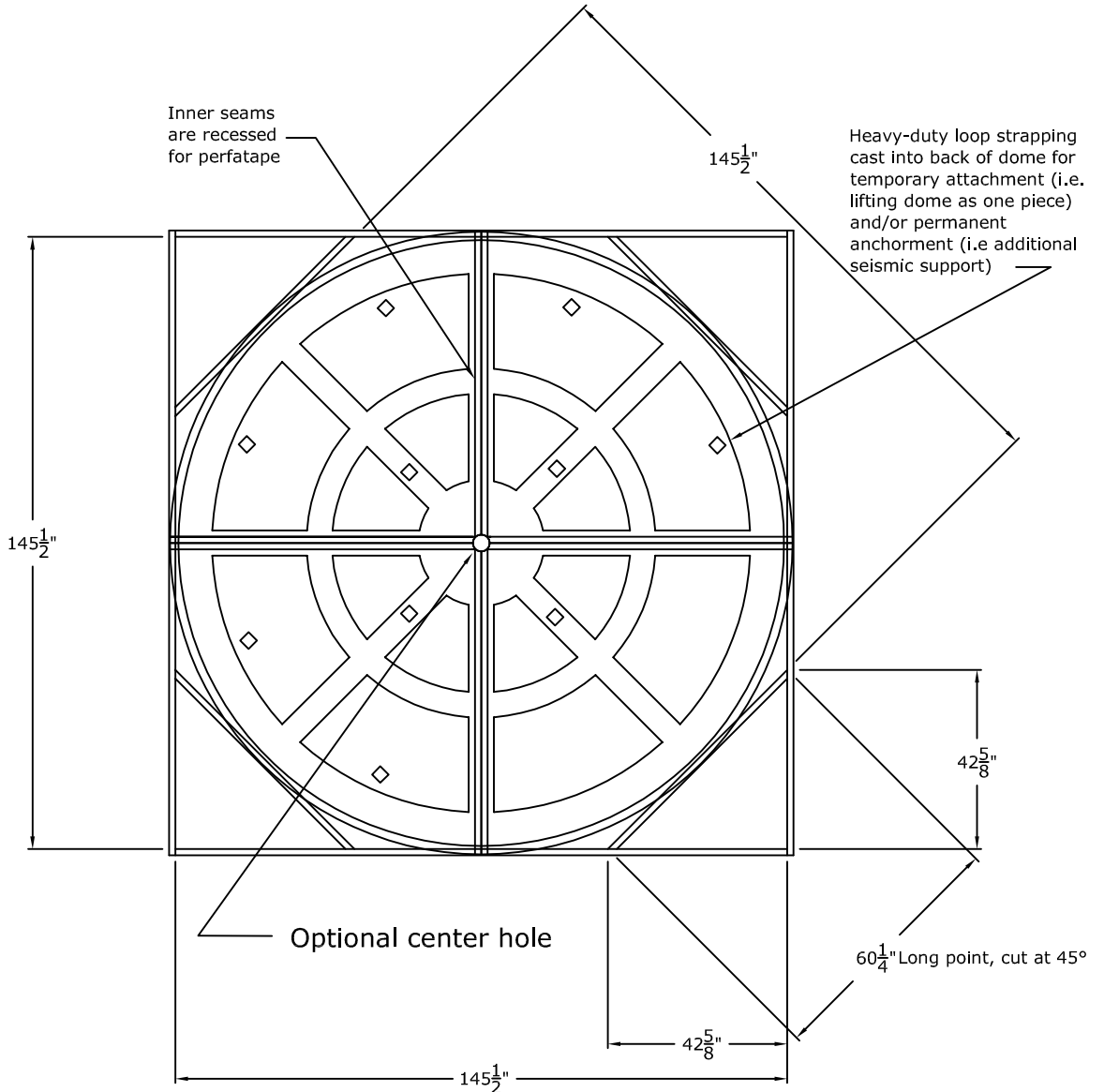
12' Coffered Round Recessed Dome: 4 Parts with a 34" Overall Rise (16 Panels)

Drill through both bolt flanges for permanent #9 tiewire anchoring (we recommend a minimum of two per flange)



Inner seams are recessed for perfatape

Heavy-duty loop strapping cast into back of dome for temporary attachment (i.e. lifting dome as one piece) and/or permanent anchoring (i.e. additional seismic support)



Optional center hole

60 1/4" Long point, cut at 45°



© Copyright 2024

RWM Inc.

6419 South Cottonwood Street, Murray, Utah 84107

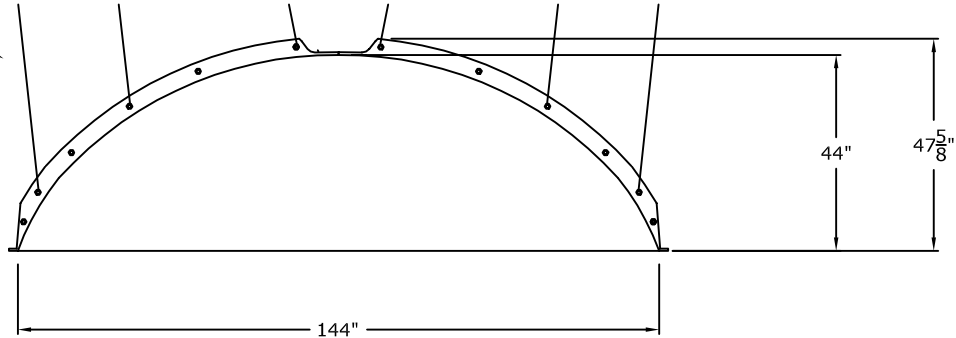
Phone: 801-268-2400 Fax: 801-268-2522

E-mail: info@rwm-inc.com

Visit our website at www.rwm-inc.com

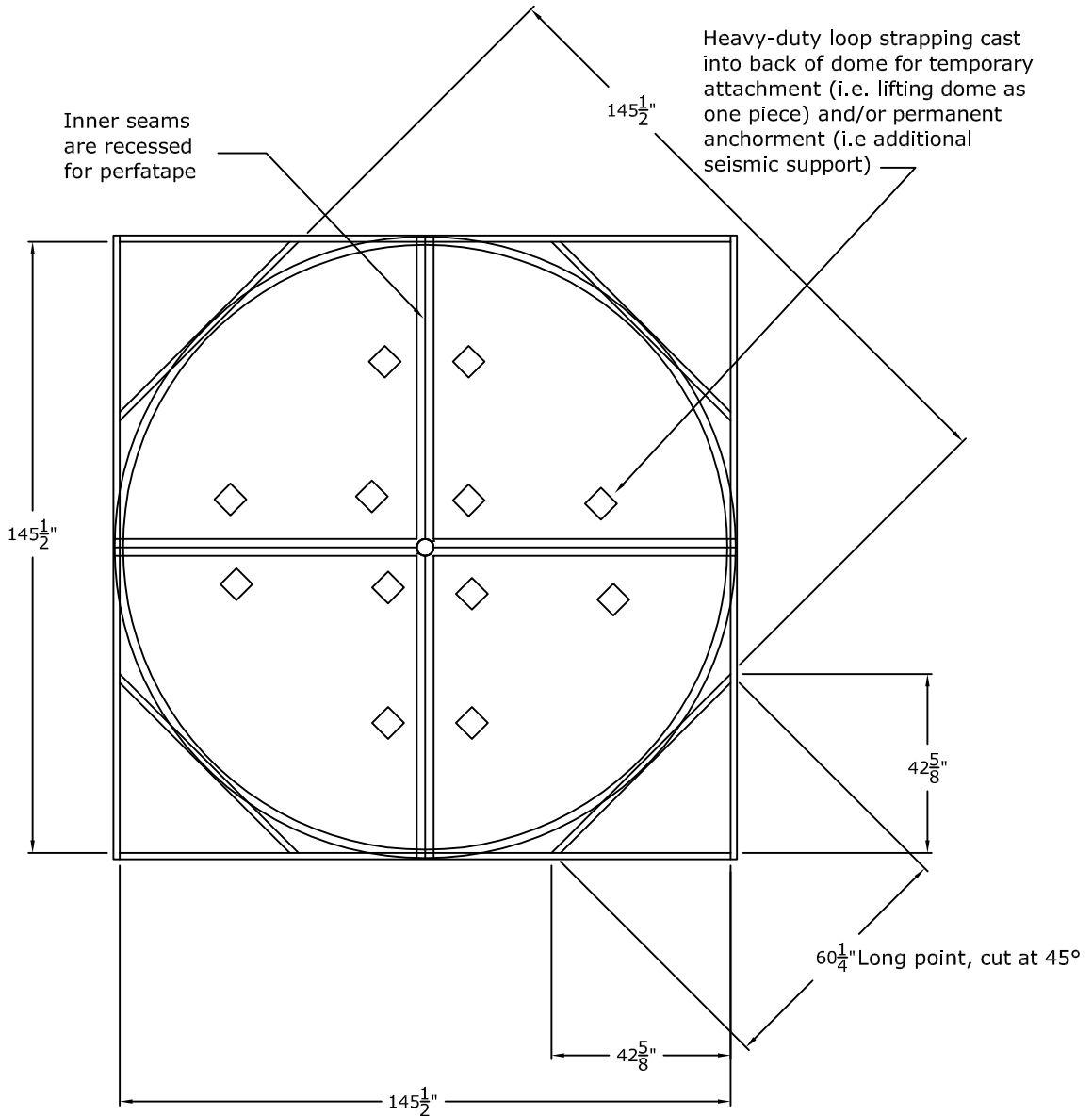
12' Round Recessed Dome: 4 Parts with a $47\frac{5}{8}$ " Overall Rise

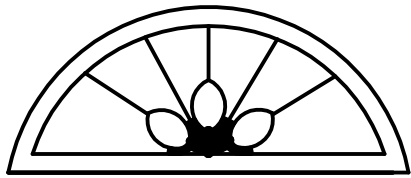
Drill through both bolt flanges for permanent #9 tiewire anchorment (we recommend a minimum of two per flange)



Inner seams are recessed for perfatape

Heavy-duty loop strapping cast into back of dome for temporary attachment (i.e. lifting dome as one piece) and/or permanent anchorment (i.e additional seismic support)





RWM[®]

RWM Inc.

6419 South Cottonwood Street, Murray, Utah 84107

Phone: 801-268-2400 Fax: 801-268-2522

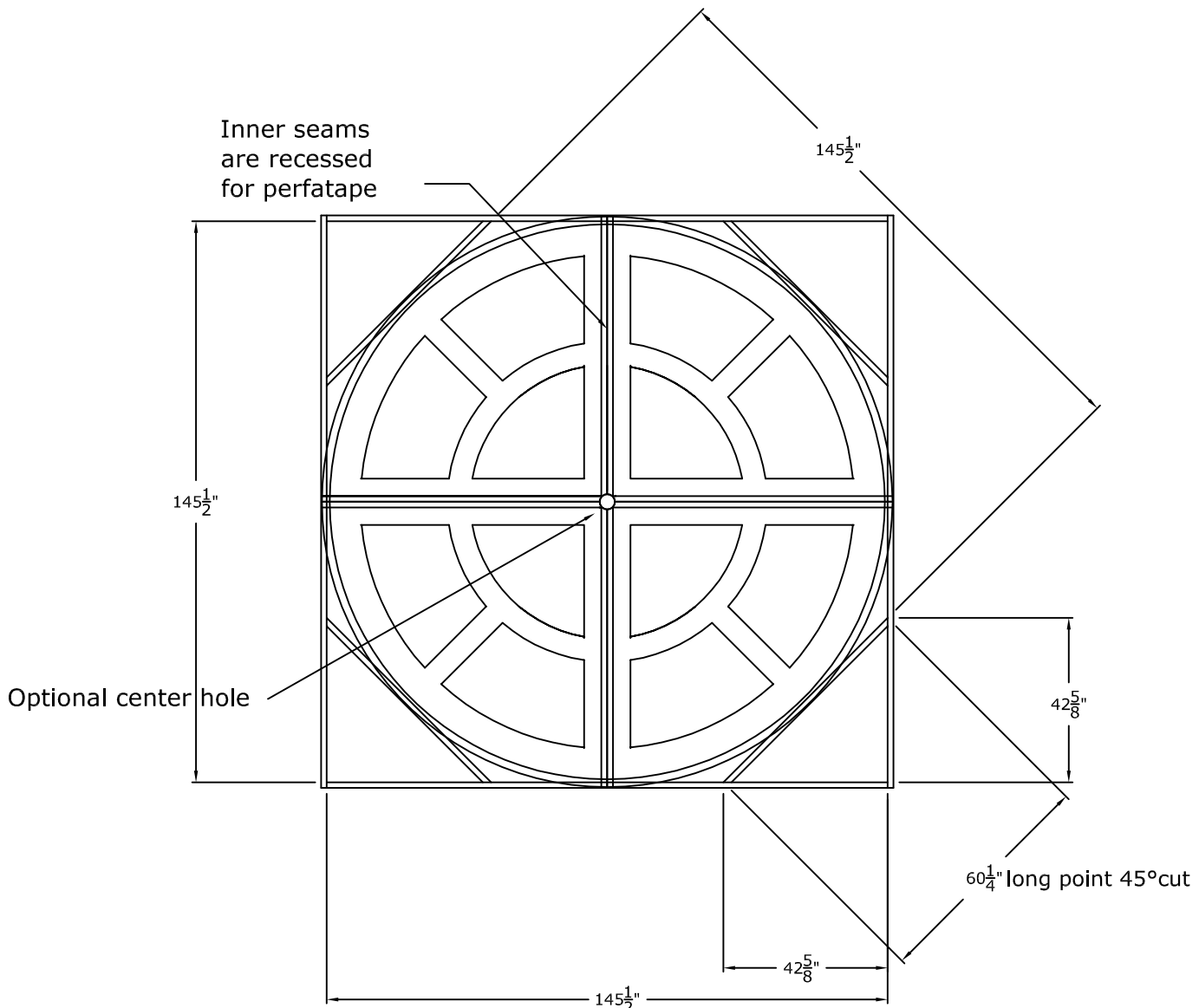
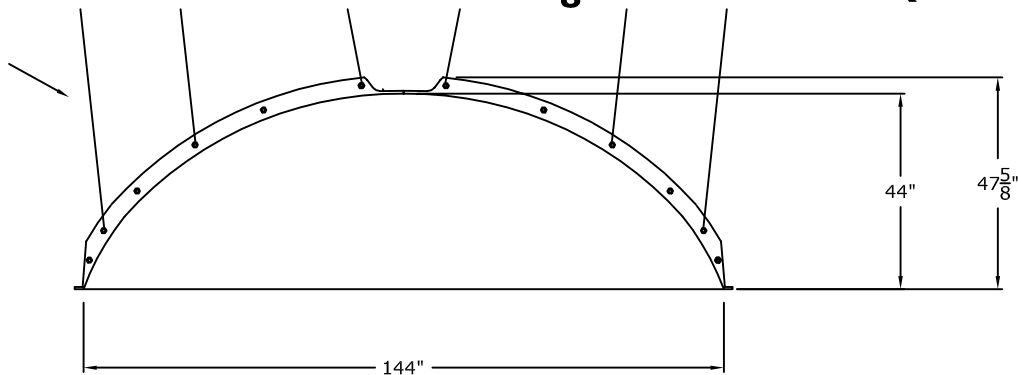
E-mail: info@rwm-inc.com

Visit our website at www.rwm-inc.com

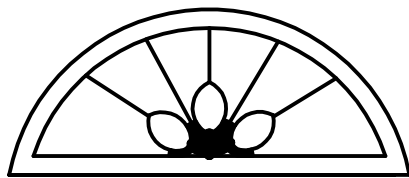
© Copyright 2024

12' Coffered Round Recessed Dome: 4 Parts with a $47\frac{5}{8}$ " Overall Rise (12 Panels)

Drill through both bolt flanges for permanent #9 tiewire anchorments (we recommend a minimum of two per flange)



Note: We also add heavy duty loop strapping to the back of the dome for temporary tiewire attachment.



RWM[®]

RWM Inc.

6419 South Cottonwood Street, Murray, Utah 84107

Phone: 801-268-2400 Fax: 801-268-2522

E-mail: info@rwm-inc.com

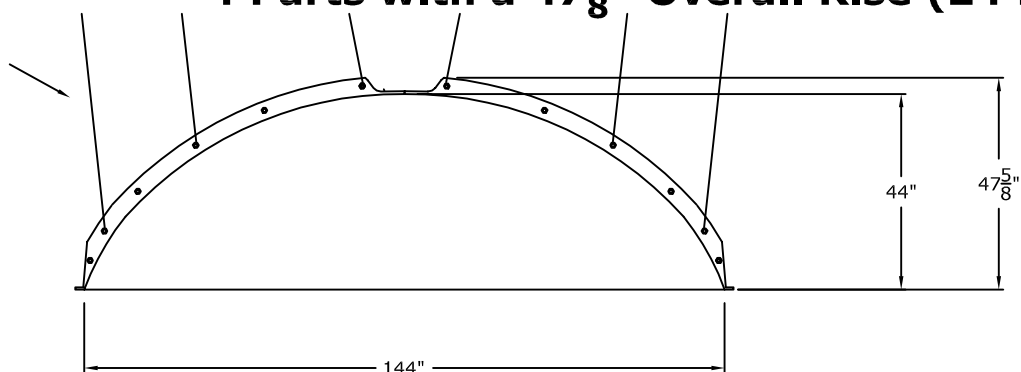
Visit our website at www.rwm-inc.com

12' Coffered Round Recessed Dome:

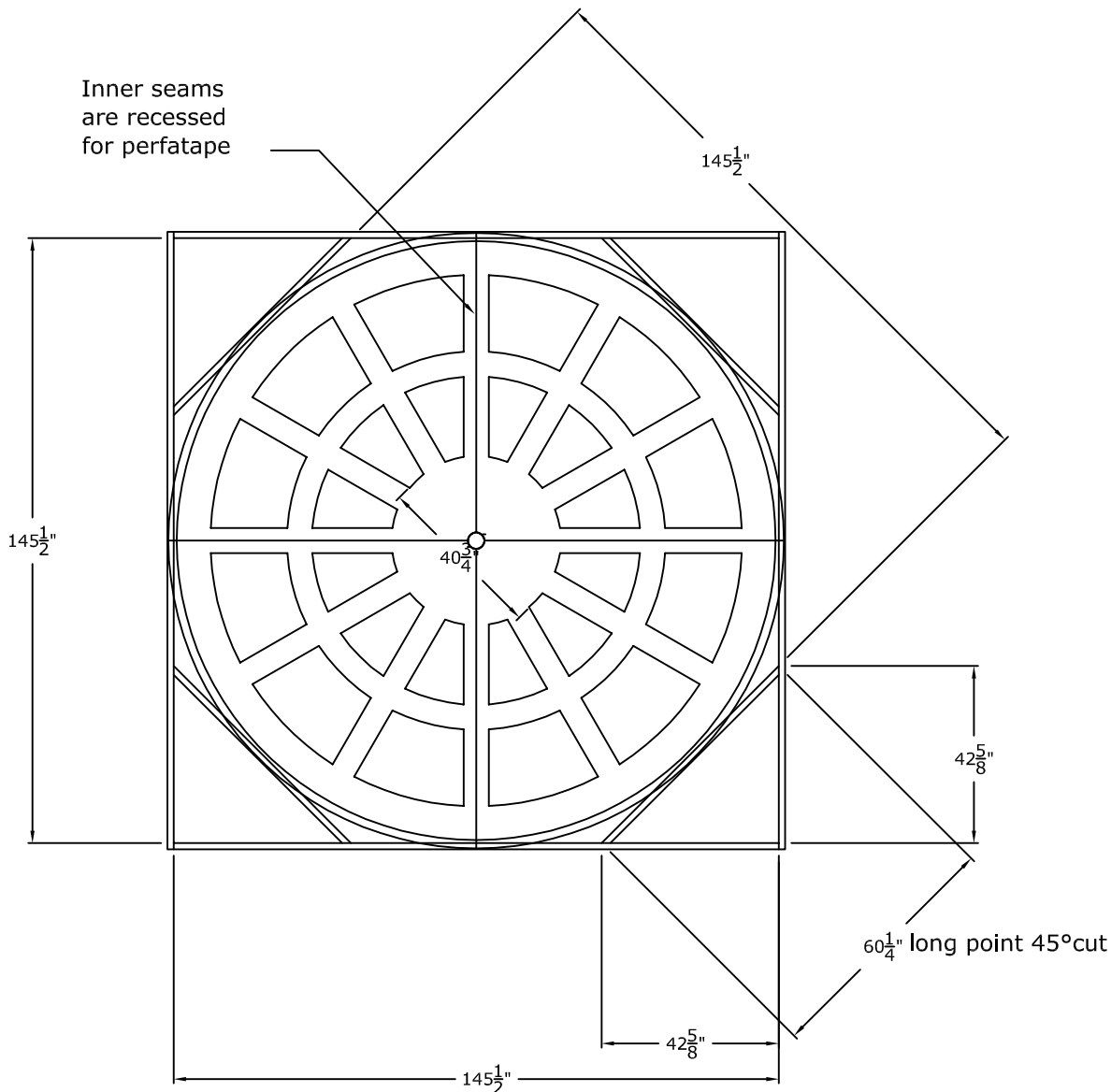
© Copyright 2024

4 Parts with a $47\frac{5}{8}$ " Overall Rise (24 Panels)

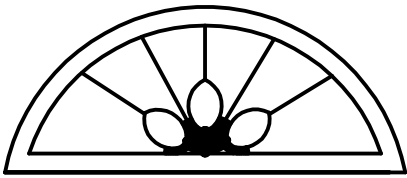
Drill through both bolt flanges for permanent #9 tie wire anchorments (we recommend a minimum of two per flange)



Inner seams are recessed for perfatape



Note: We also add heavy duty loop strapping to the back of the dome for temporary tie wire attachment.



RWM®

© Copyright 2026

RWM Inc.

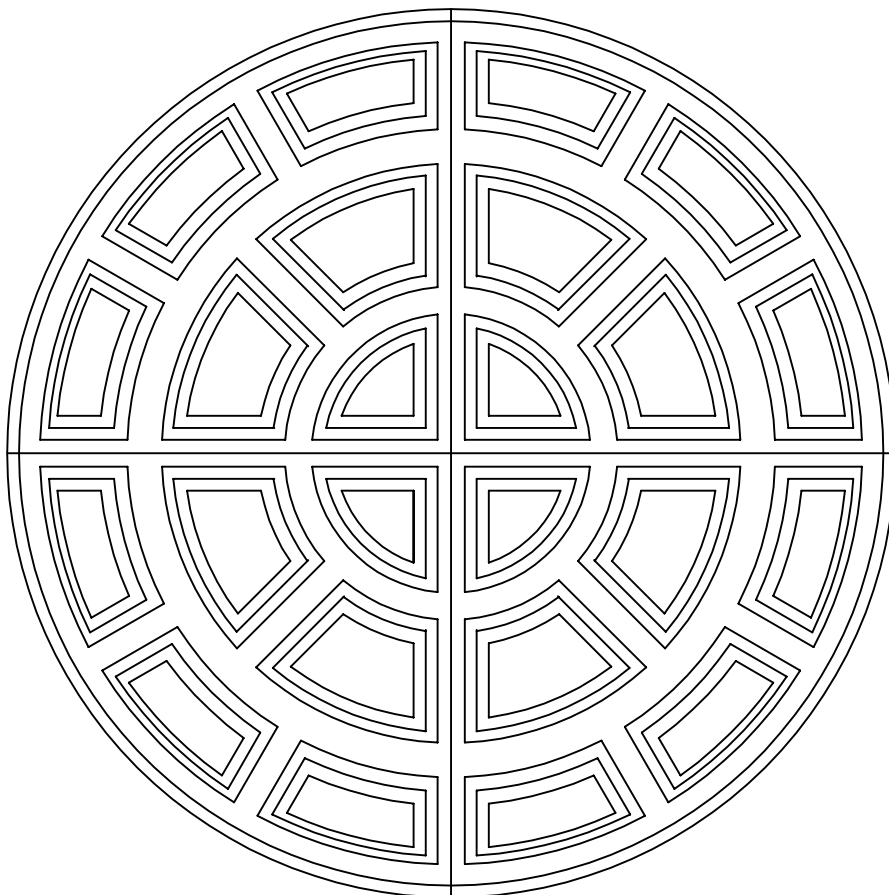
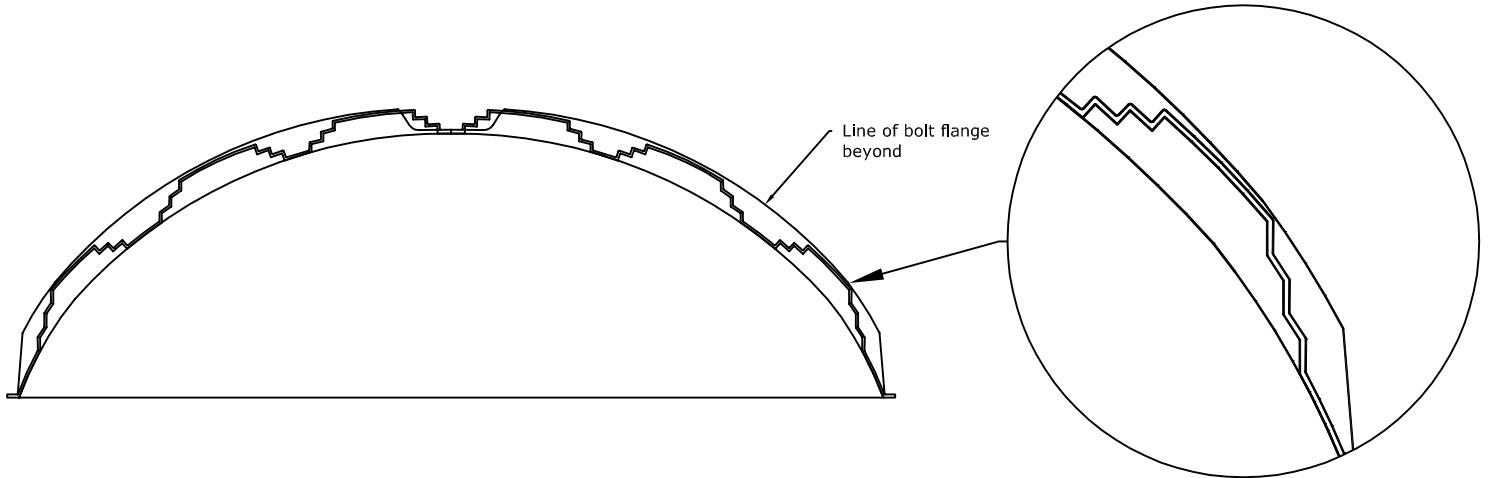
6419 South Cottonwood Street, Murray, Utah 84107

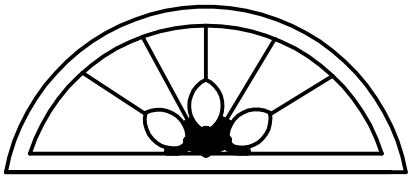
Phone: 801-268-2400 Fax: 801-268-2522

E-mail: info@rwm-inc.com

Visit our website at www.rwm-inc.com

12' Coffered Round Recessed Dome: 4 Parts with a 48" Overall Rise (24 Panels)





RWM®

© Copyright 2026

RWM Inc.

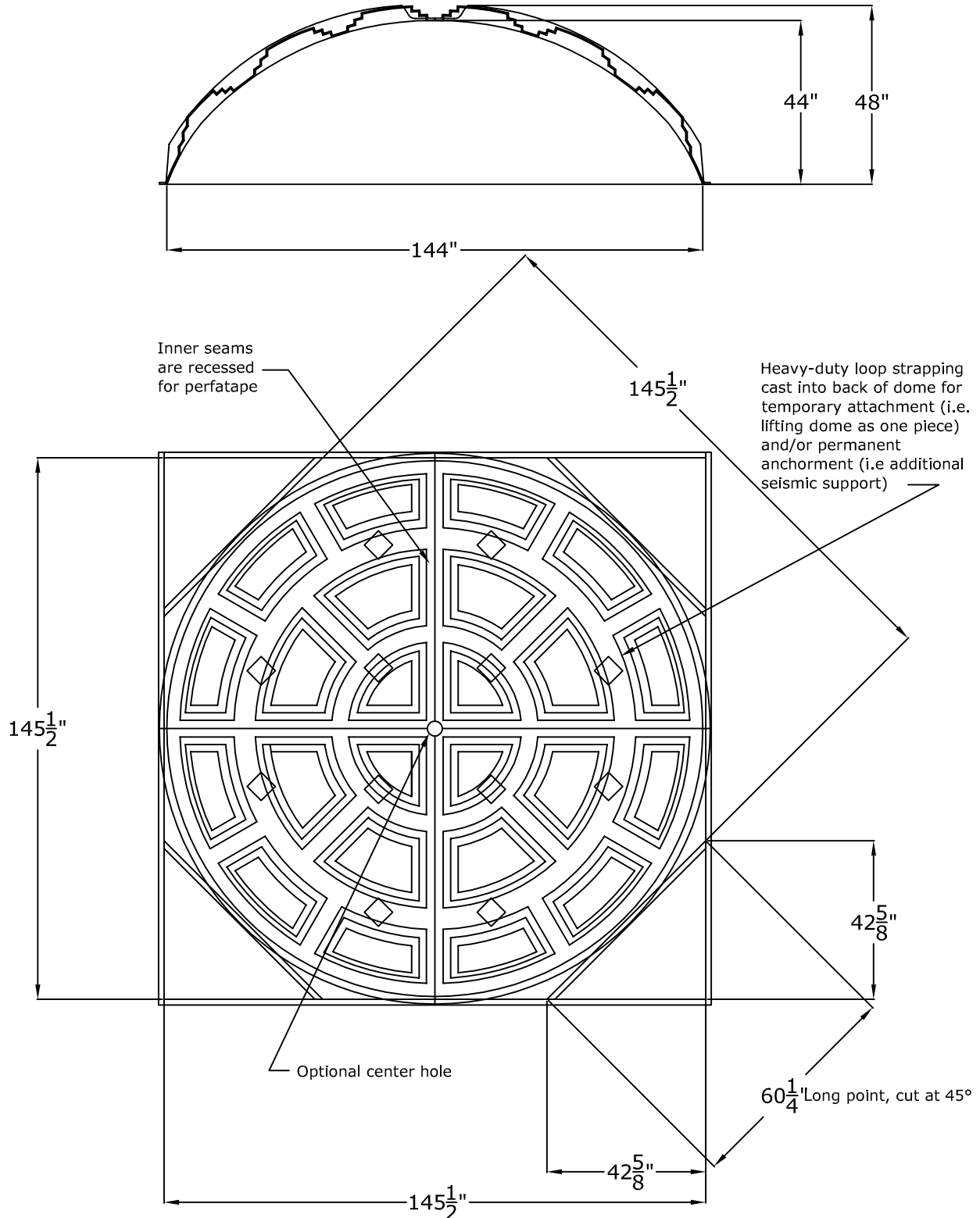
6419 South Cottonwood Street, Murray, Utah 84107

Phone: 801-268-2400 Fax: 801-268-2522

E-mail: info@rwm-inc.com

Visit our website at www.rwm-inc.com

12' Coffered Round Recessed Dome: 4 Parts with a 48" Overall Rise (24 Panels)





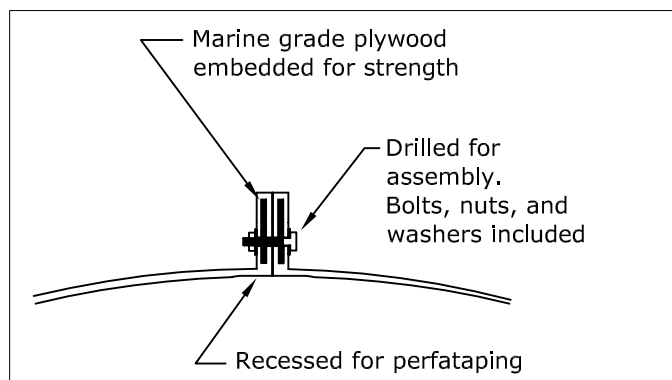
© Copyright 2018

RWM Inc.

6419 South Cottonwood Street, Murray, Utah 84107
Phone: 801-268-2400 Toll Free: 1-855-RWM-ARTS (796-2787)
Fax: 801-268-2522 E-mail: info@rwm-inc.com

Visit our website at www.rwm-inc.com

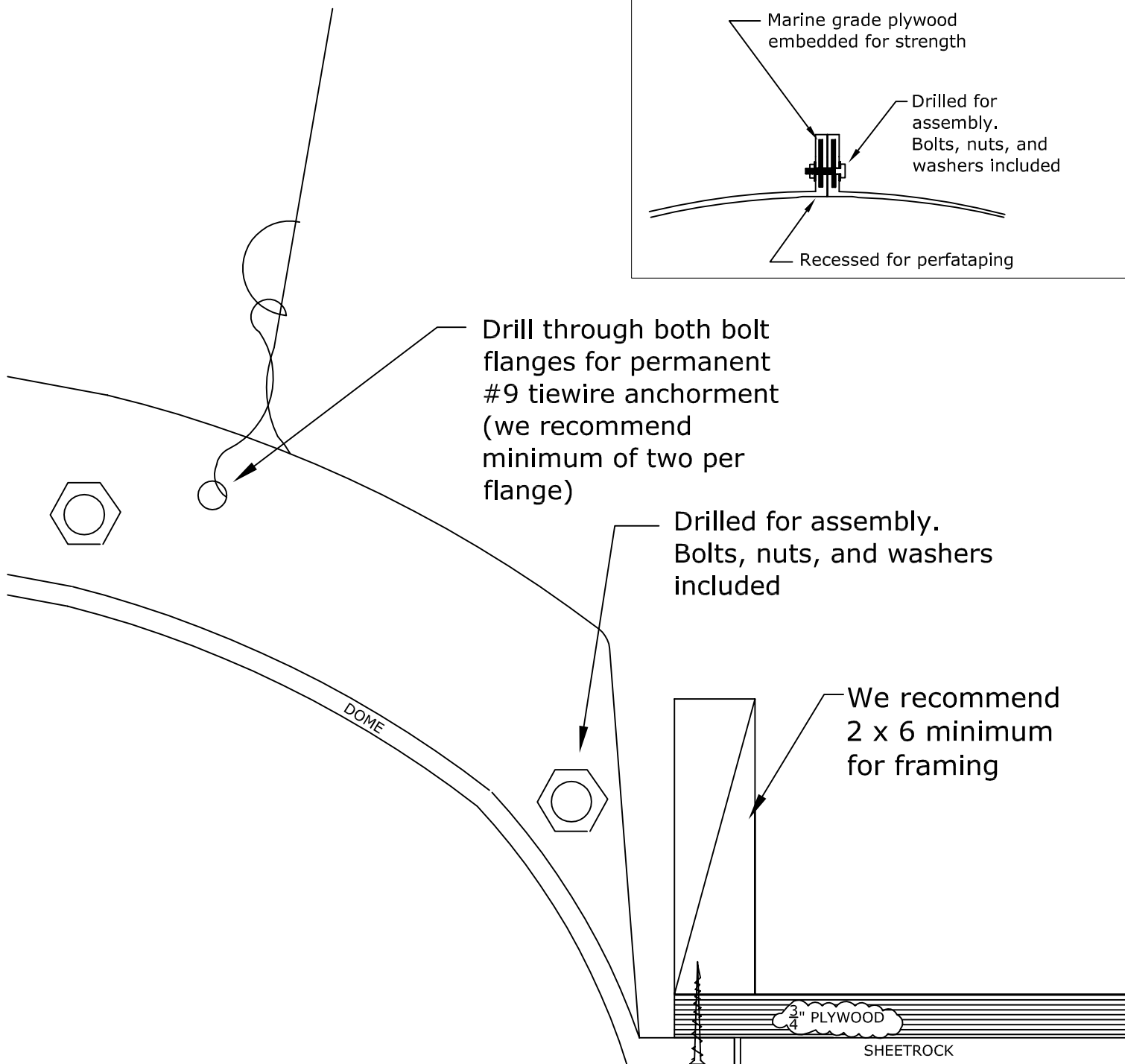
Bolt Flange Detail: Multi-Piece Domes



Drill through both bolt flanges for permanent #9 tiewire anchorment (we recommend minimum of two per flange)

Drilled for assembly. Bolts, nuts, and washers included

We recommend 2 x 6 minimum for framing



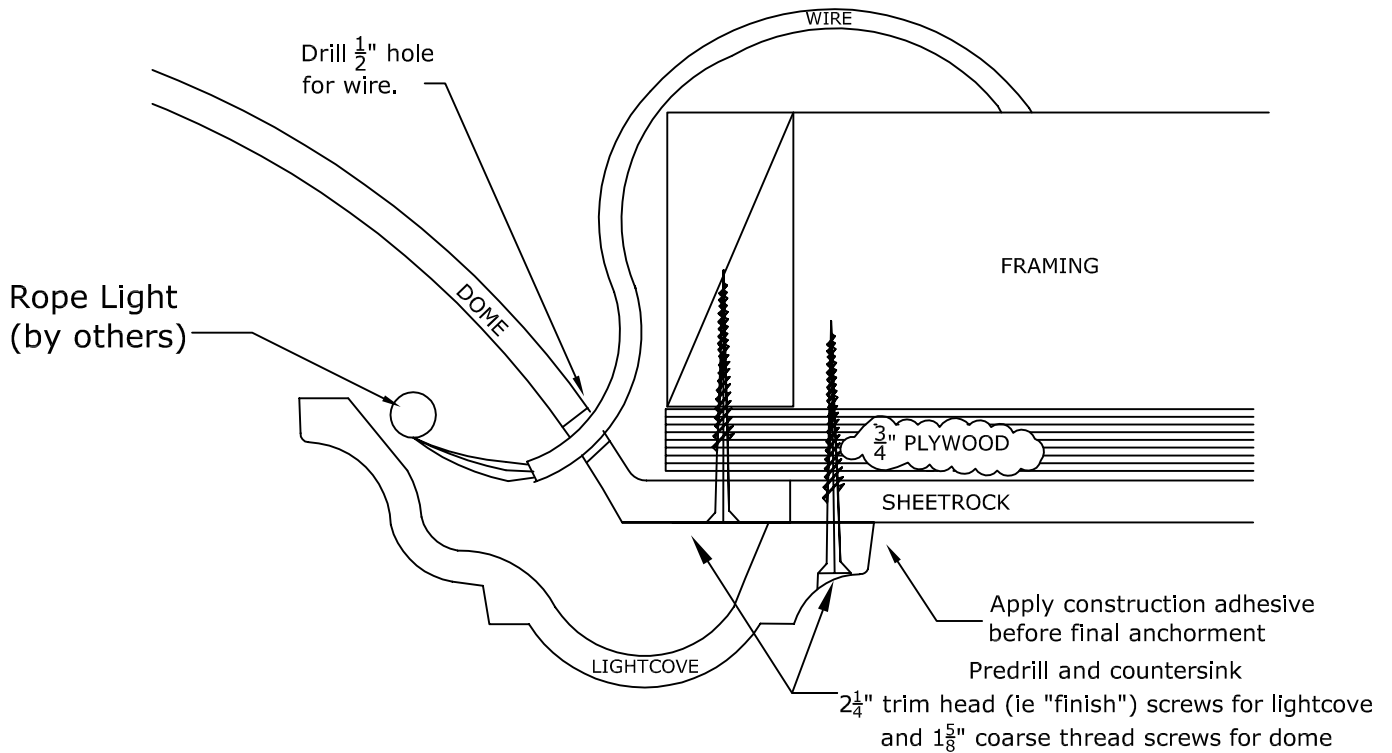


RWM Inc.

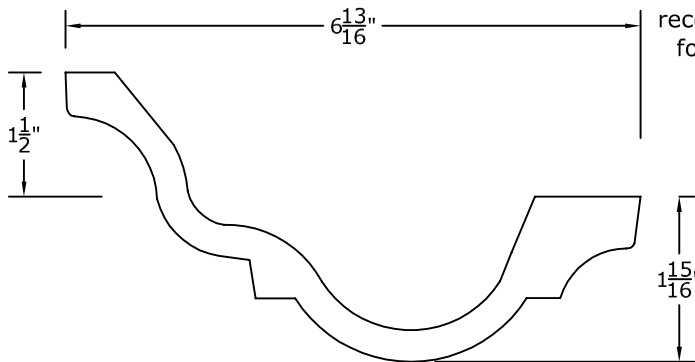
6419 South Cottonwood Street, Murray, Utah 84107
 Phone: 801-268-2400 Toll Free: 1-855-RWM-ARTS (796-2787)
 Fax: 801-268-2522 E-mail: info@rwm-inc.com

Visit our website at www.rwm-inc.com

Traditional Lightcover: For Select Larger Domes



We recommend a minimum of one point of anchor every 16" on lightcover. This is in addition to a minimum of one point of anchor every 16" for the dome bottom flange, and the recommended minimum of tiewire attachments for the dome. Check the spec sheet for your dome.



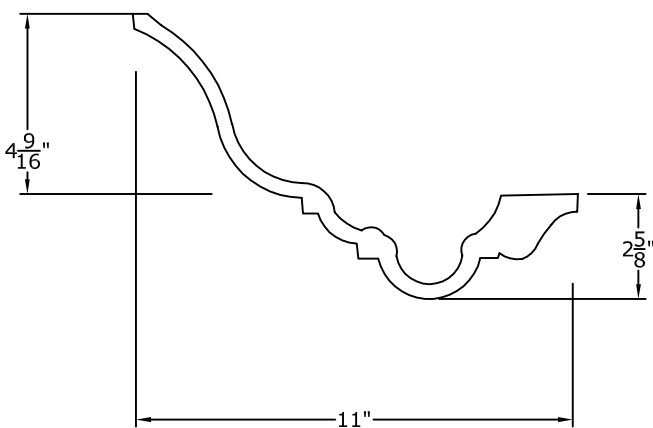
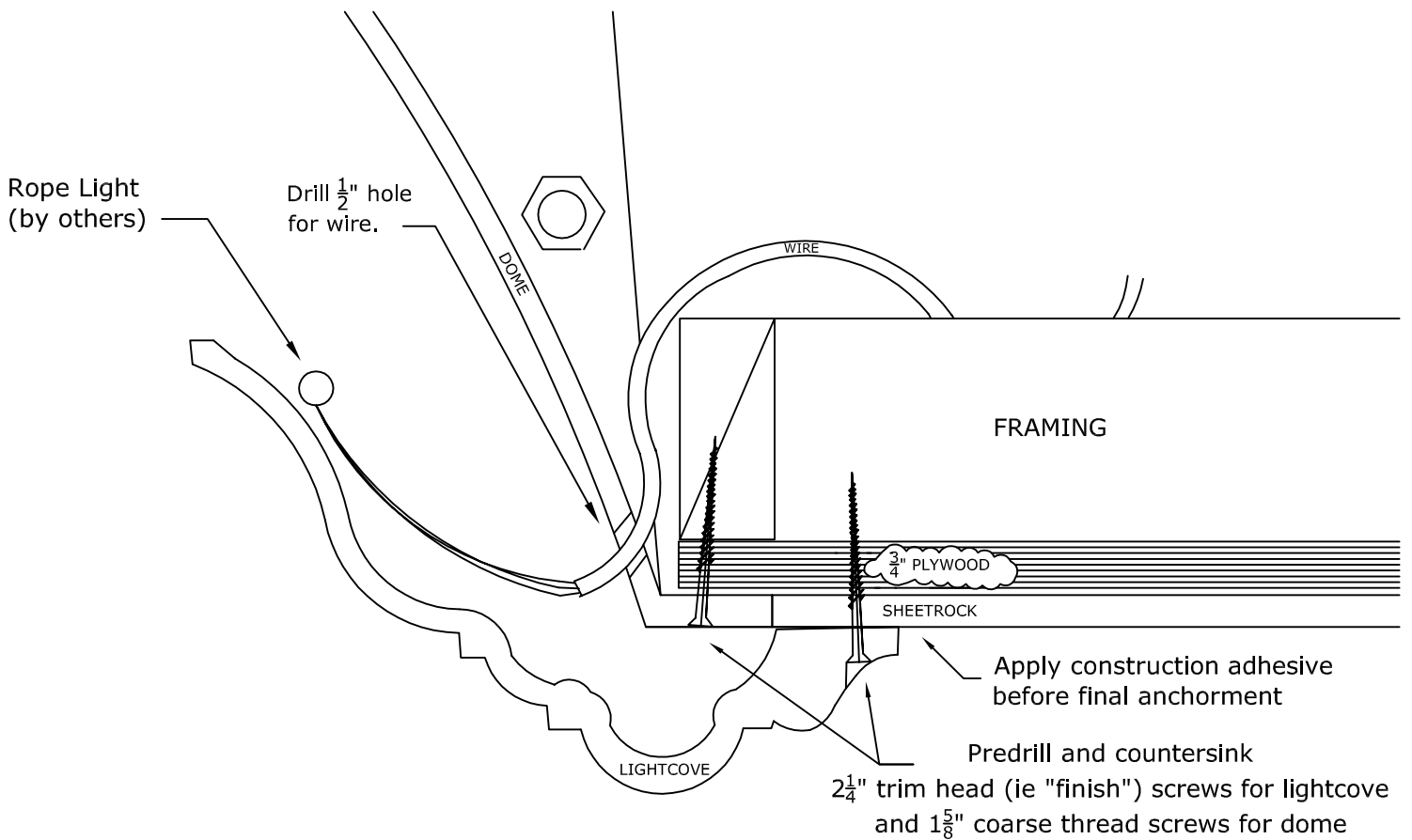


RWM Inc.

6419 South Cottonwood Street, Murray, Utah 84107
 Phone: 801-268-2400 Toll Free: 1-855-RWM-ARTS (796-2787)
 Fax: 801-268-2522 E-mail: info@rwm-inc.com

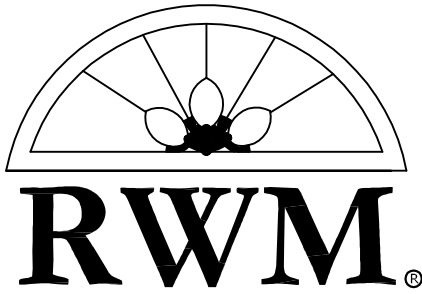
Visit our website at www.rwm-inc.com

Larger Traditional Lightcover: For Select Larger Domes



Apply construction adhesive before final anchoring
 Predrill and countersink
 $2\frac{1}{4}$ " trim head (ie "finish") screws for lightcover
 and $1\frac{5}{8}$ " coarse thread screws for dome

We recommend a minimum of one point of anchor every 16" on lightcover. This is in addition to a minimum of one point of anchor every 16" for the dome bottom flange, and the recommended minimum of tiewire attachments for the dome. Check the spec sheet for your dome.



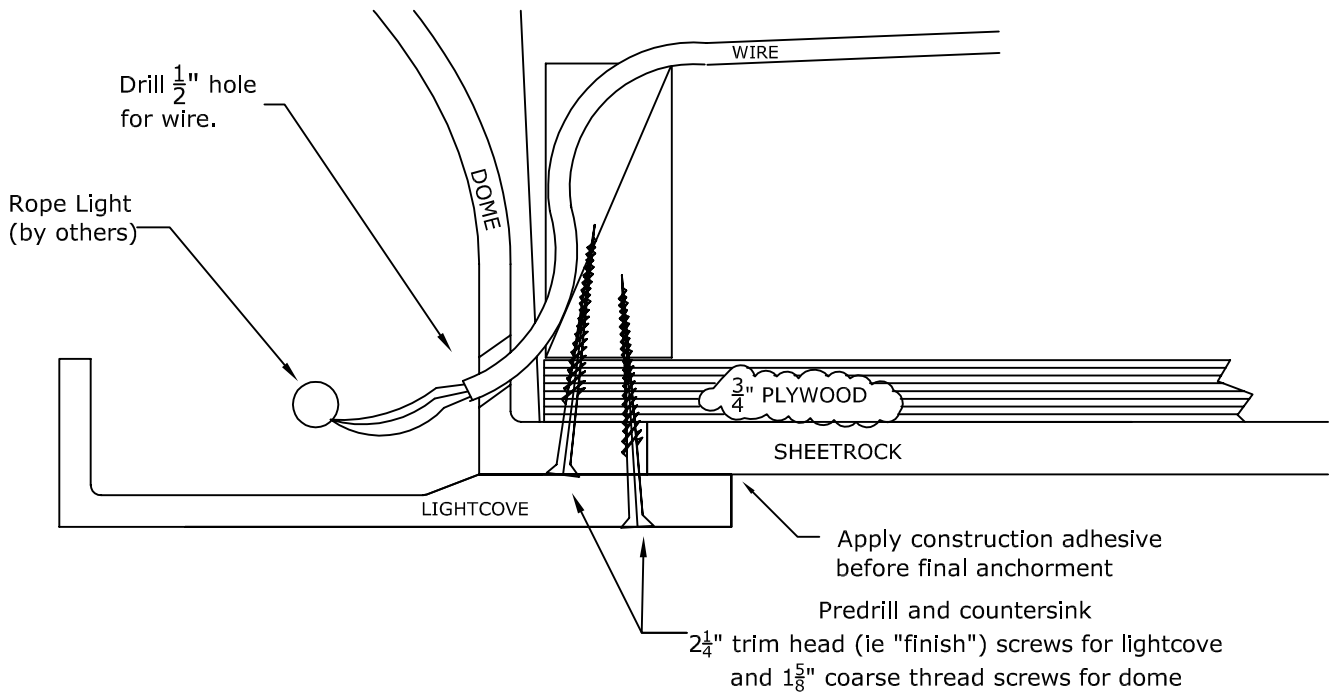
© Copyright 2017

RWM Inc.

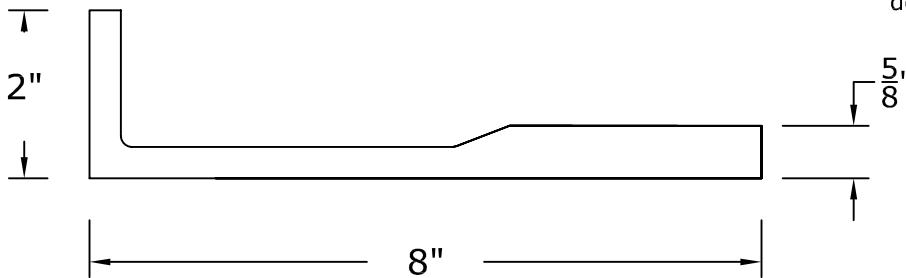
6419 South Cottonwood Street, Murray, Utah 84107
 Phone: 801-268-2400 Toll Free: 1-855-RWM-ARTS (796-2787)
 Fax: 801-268-2522 E-mail: info@rwm-inc.com

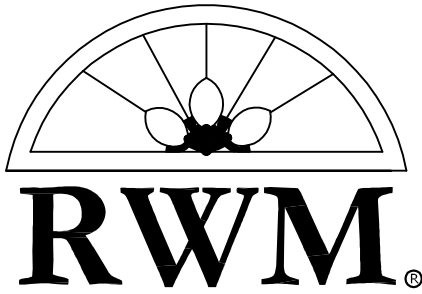
Visit our website at www.rwm-inc.com

Contemporary Lightcover: For Select Larger Domes



We recommend a minimum of one point of anchor every 16" on lightcover. This is in addition to a minimum of one point of anchor every 16" for the dome bottom flange, and the recommended minimum of tie wire attachments for the dome. Check the spec sheet for your dome.





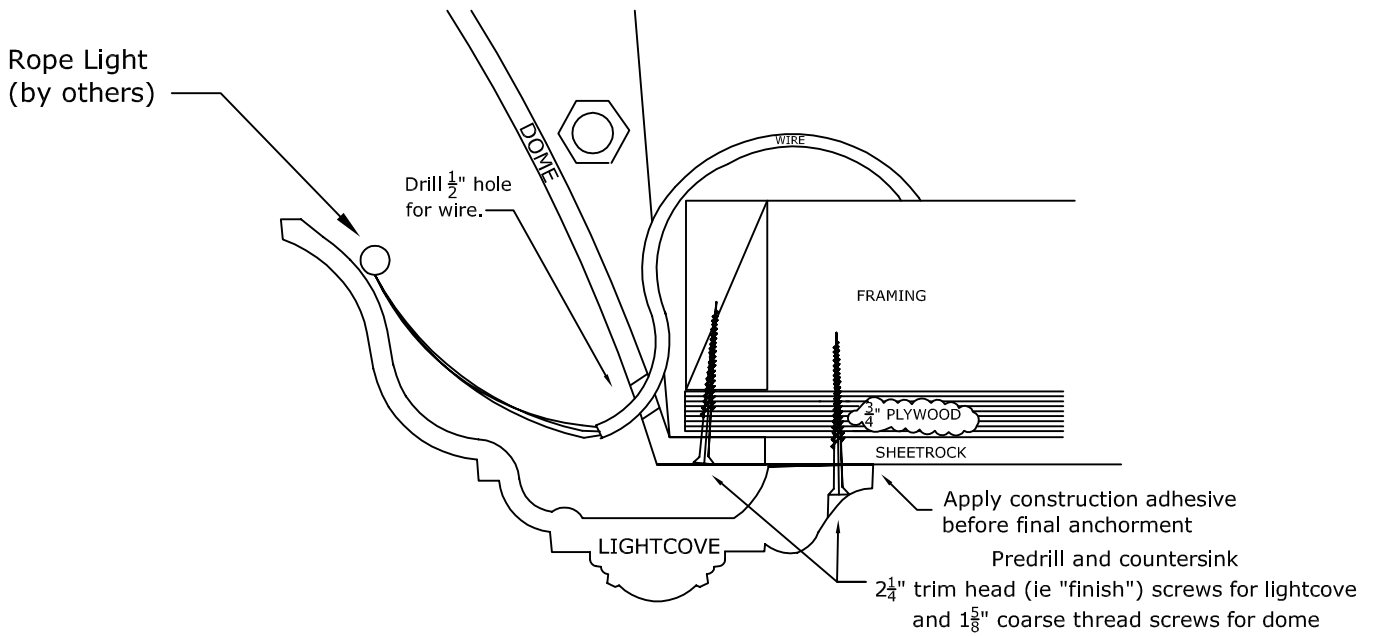
© Copyright 2018

RWM Inc.

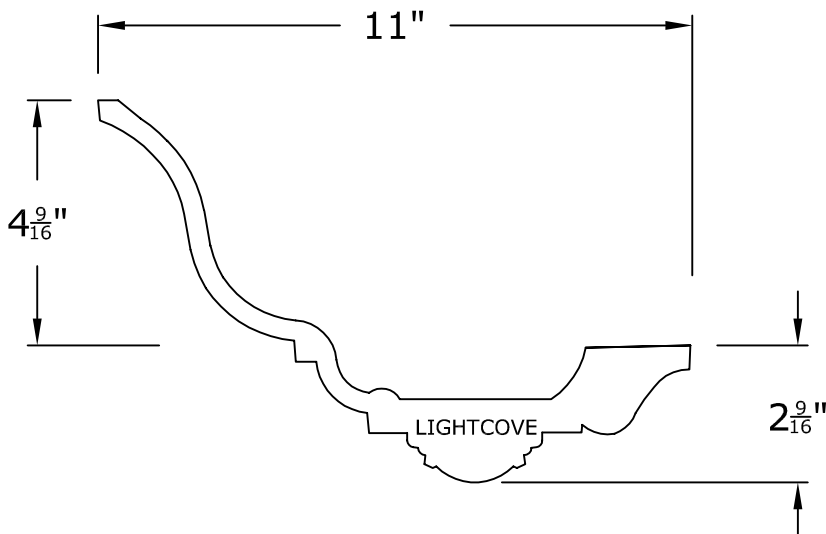
6419 South Cottonwood Street, Murray, Utah 84107
 Phone: 801-268-2400 Toll Free: 1-855-RWM-ARTS (796-2787)
 Fax: 801-268-2522 E-mail: info@rwm-inc.com

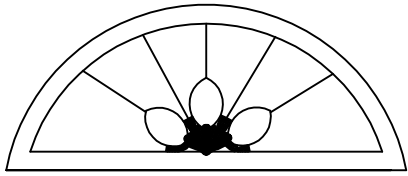
Visit our website at www.rwm-inc.com

Larger Coin Lightcover: For Select Larger Domes



We recommend a minimum of one point of anchor every 16" on lightcover. This is in addition to a minimum of one point of anchor every 16" for the dome bottom flange, and the recommended minimum of tiewire attachments for the dome. Check the spec sheet for your dome.





RWM®

© Copyright 2018

RWM Inc.

6419 South Cottonwood Street, Murray, Utah 84107

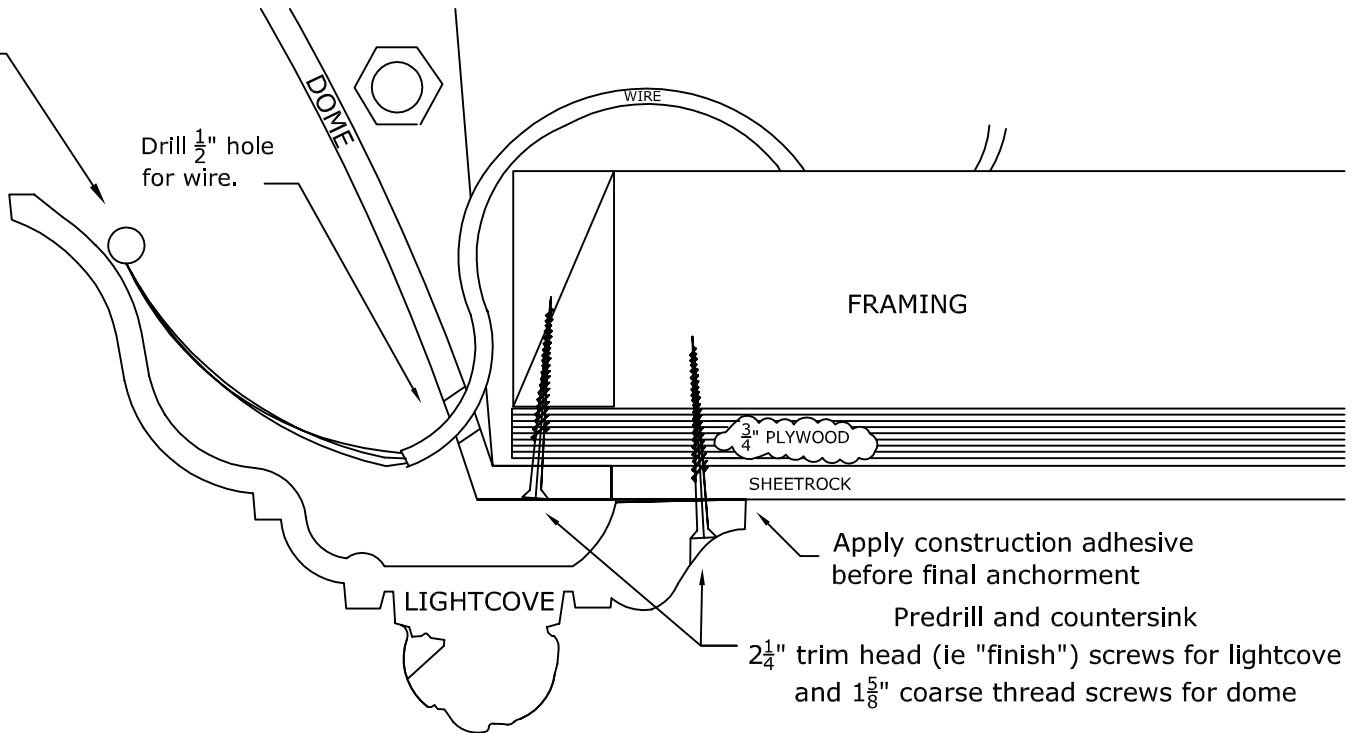
Phone: 801-268-2400 Toll Free: 1-855-RWM-ARTS (796-2787)

Fax: 801-268-2522 E-mail: info@rwm-inc.com

Visit our website at www.rwm-inc.com

Larger Acanthus & Pearl Lightcover: For Select Larger Domes

Rope Light
(by others)



We recommend a minimum of one point of anchor every 16" on lightcover. This is in addition to a minimum of one point of anchor every 16" for the dome bottom flange, and the recommended minimum of tiewire attachments for the dome. Check the spec sheet for your dome.

