



© Copyright 2026

RWM Inc.

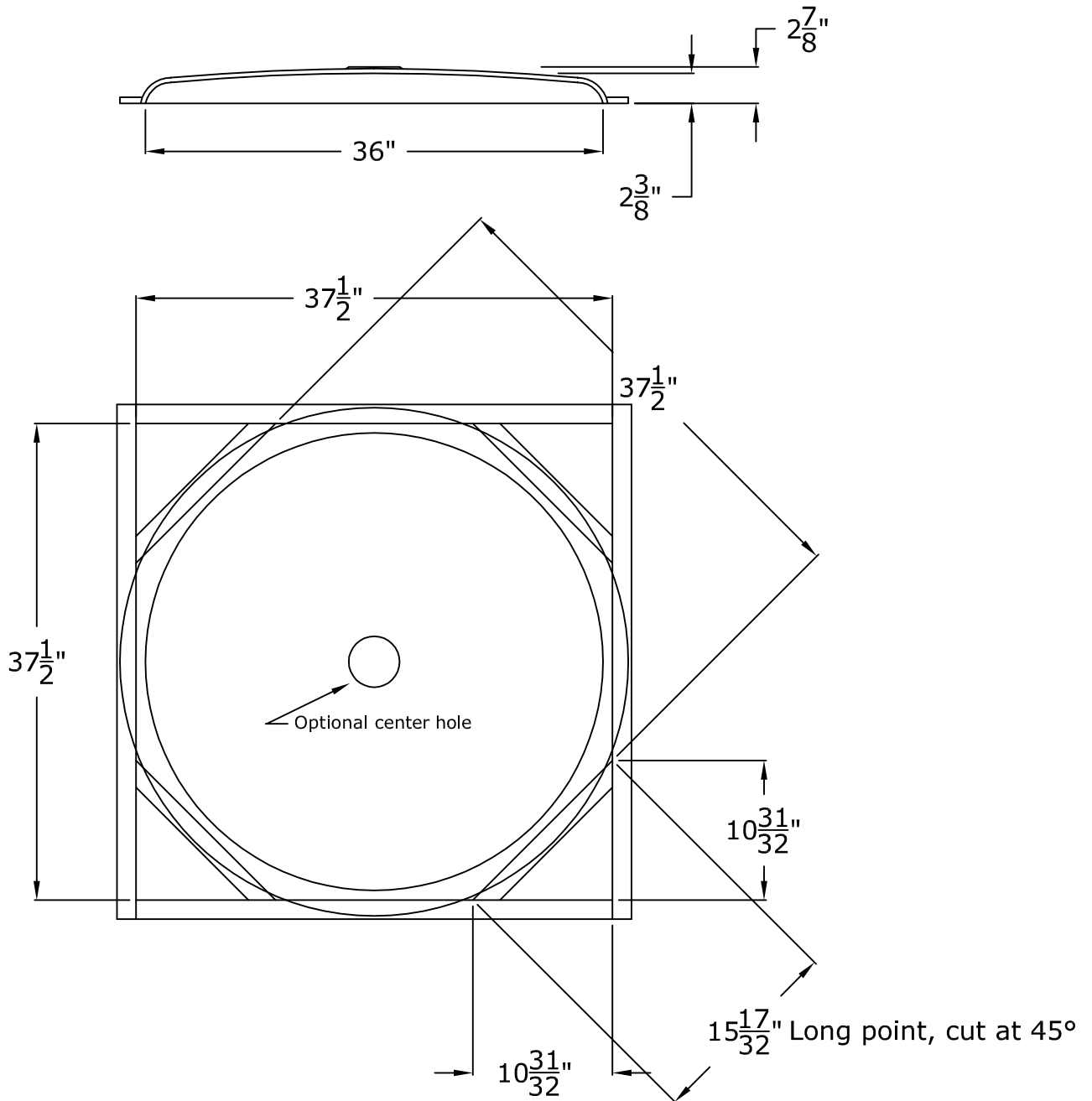
6419 South Cottonwood Street, Murray, Utah 84107

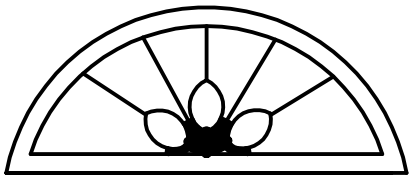
Phone: 801-268-2400 Fax: 801-268-2522

E-mail: info@rwm-inc.com

Visit our website at www.rwm-inc.com

3' Round Recessed Dome: 1 Part with a $2\frac{7}{8}$ " Overall Rise





RWM[®]

© Copyright 2018

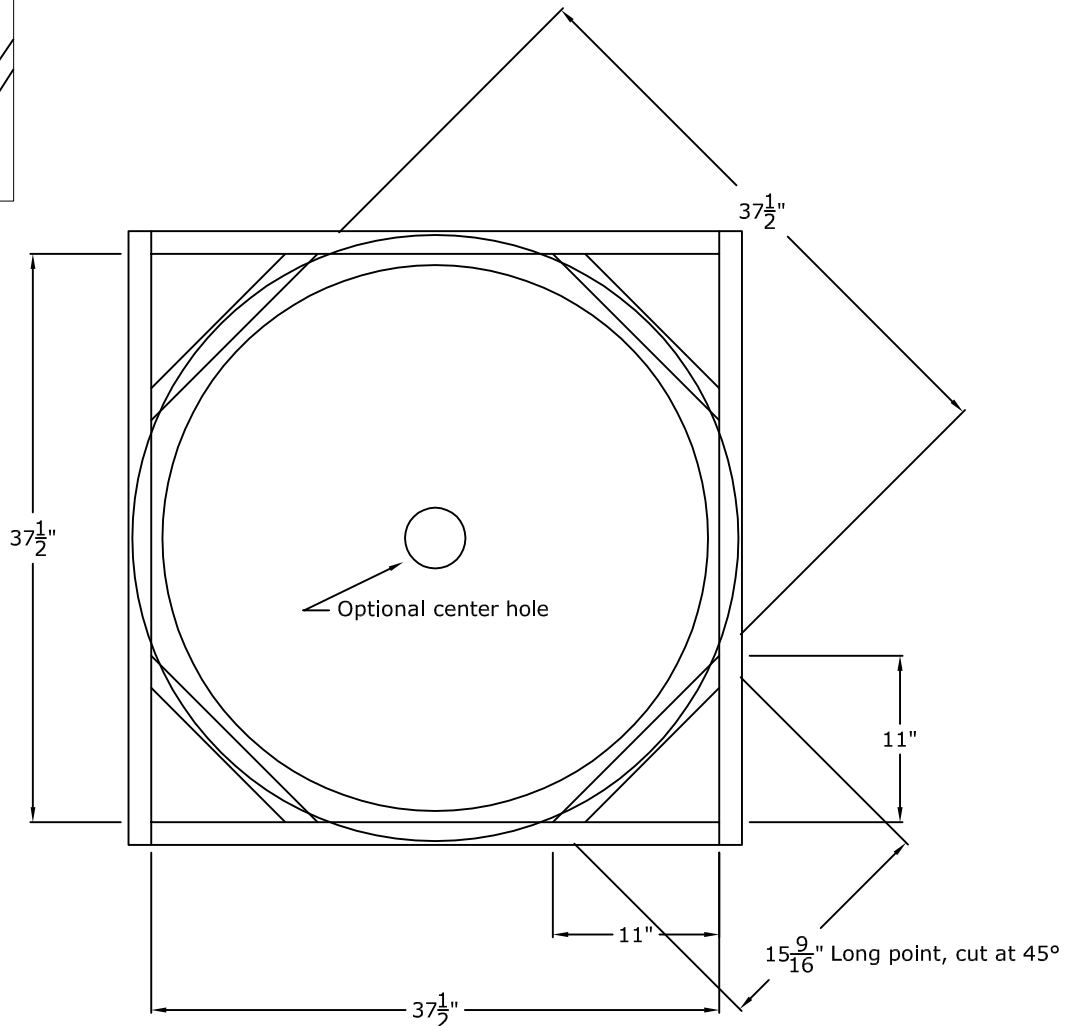
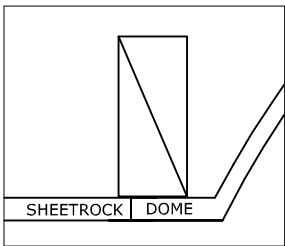
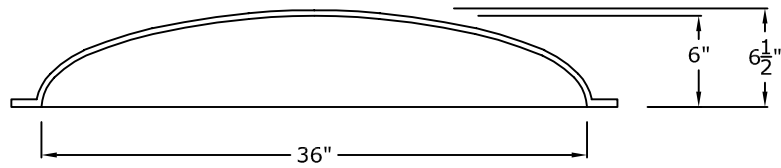
RWM Inc.

6419 South Cottonwood Street, Murray, Utah 84107
Phone: 801-268-2400 Toll Free: 1-855-RWM-ARTS (796-2787)

Fax: 801-268-2522 E-mail: info@rwm-inc.com

Visit our website at www.rwm-inc.com

3' Round Recessed Dome: 1 Part with a 6½" Overall Rise





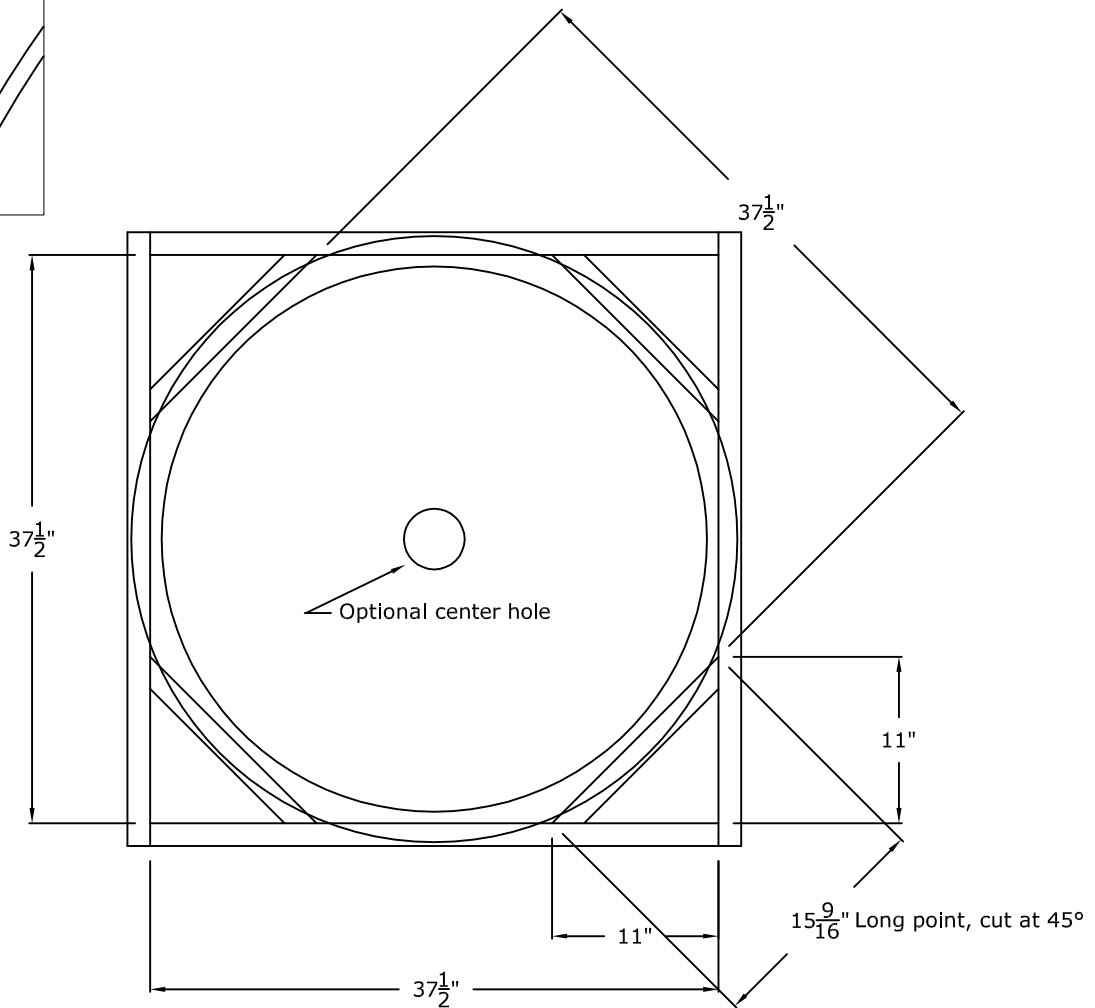
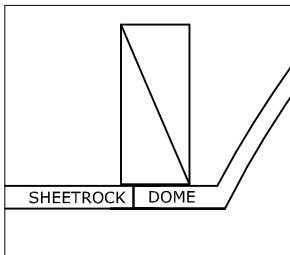
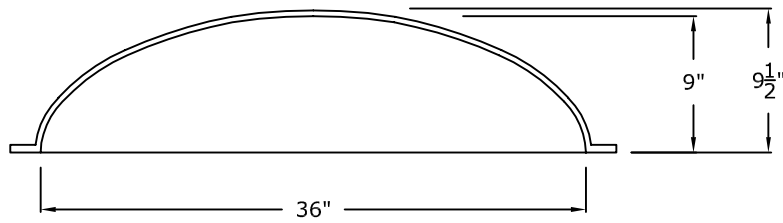
© Copyright 2018

RWM Inc.

6419 South Cottonwood Street, Murray, Utah 84107
Phone: 801-268-2400 Toll Free: 1-855-RWM-ARTS (796-2787)
Fax: 801-268-2522 E-mail: info@rwm-inc.com

Visit our website at www.rwm-inc.com

3' Round Recessed Dome: 1 Part with a 9½" Overall Rise



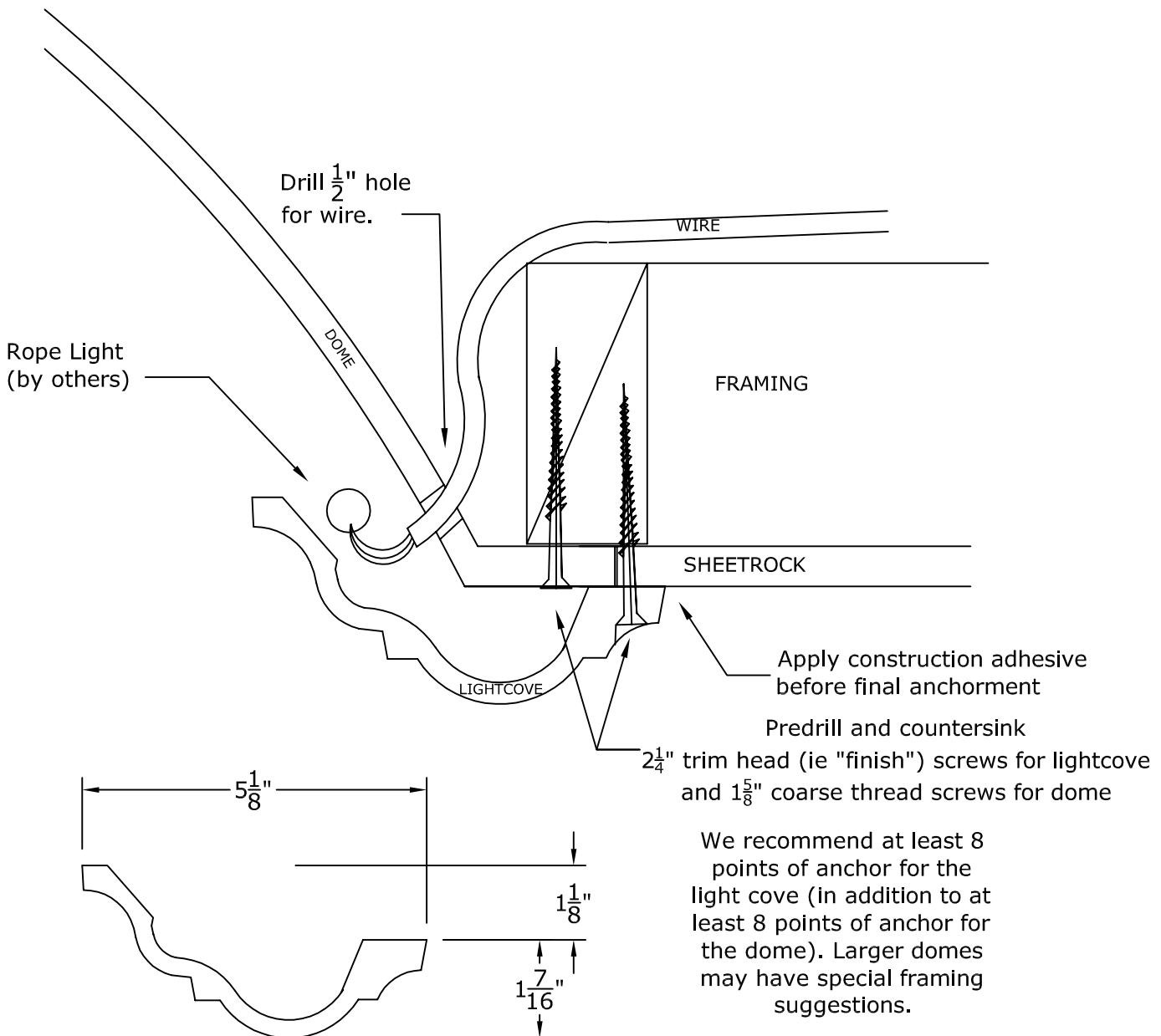


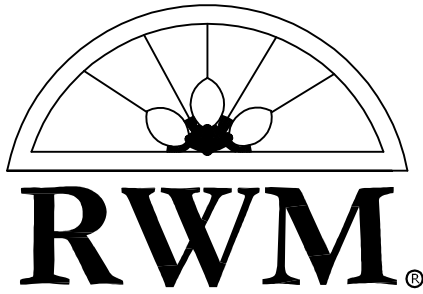
RWM Inc.

6419 South Cottonwood Street, Murray, Utah 84107
 Phone: 801-268-2400 Toll Free: 1-855-RWM-ARTS (796-2787)
 Fax: 801-268-2522 E-mail: info@rwm-inc.com

Visit our website at www.rwm-inc.com

Traditional Lightcover: For Select Smaller Domes





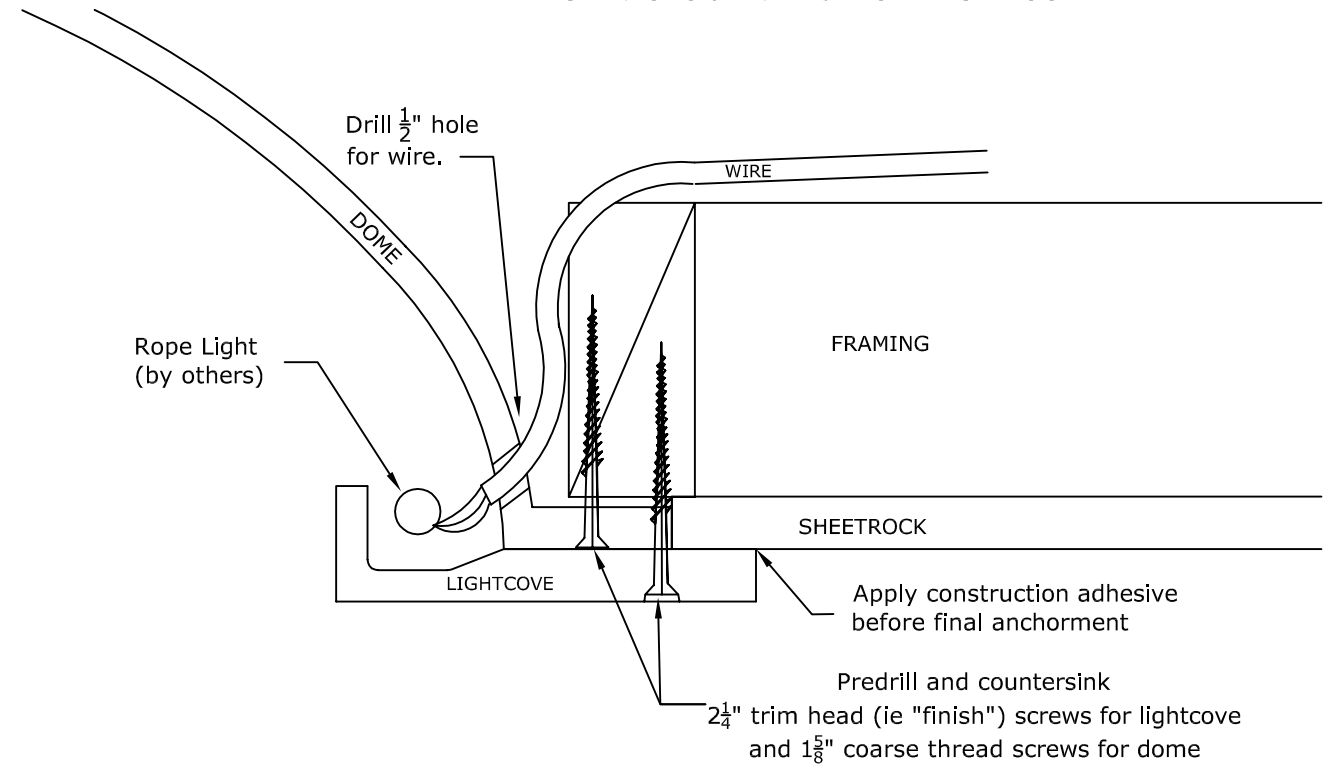
© Copyright 2018

RWM Inc.

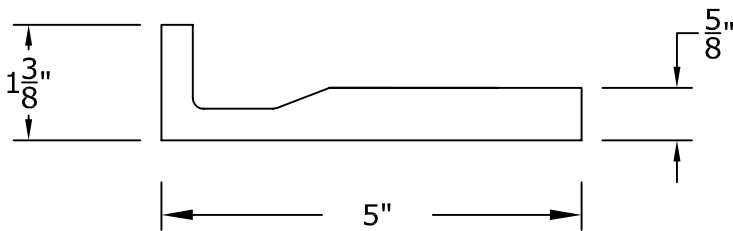
6419 South Cottonwood Street, Murray, Utah 84107
 Phone: 801-268-2400 Toll Free: 1-855-RWM-ARTS (796-2787)
 Fax: 801-268-2522 E-mail: info@rwm-inc.com

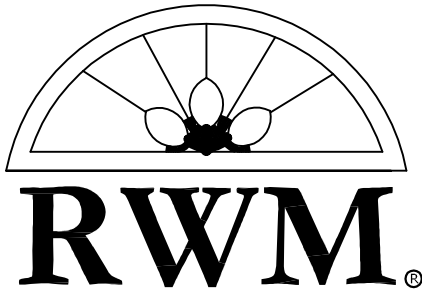
Visit our website at www.rwm-inc.com

Contemporary Lightcover: For Select Smaller Domes



We recommend at least 8 points of anchor for the light cover (in addition to at least 8 points of anchor for the dome). Larger domes may have special framing suggestions.





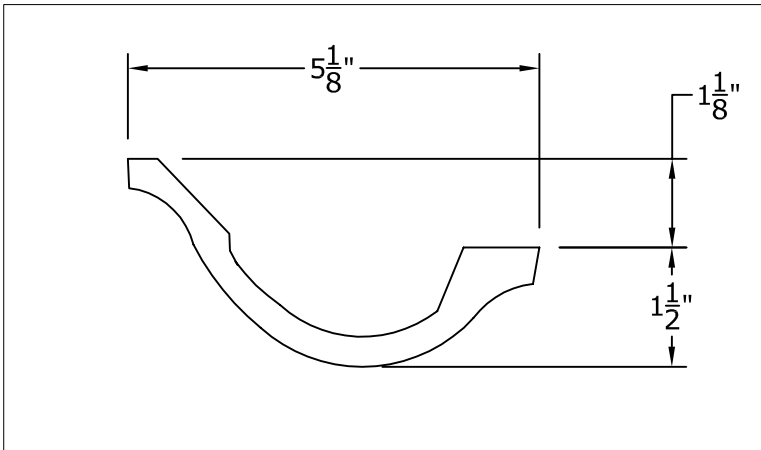
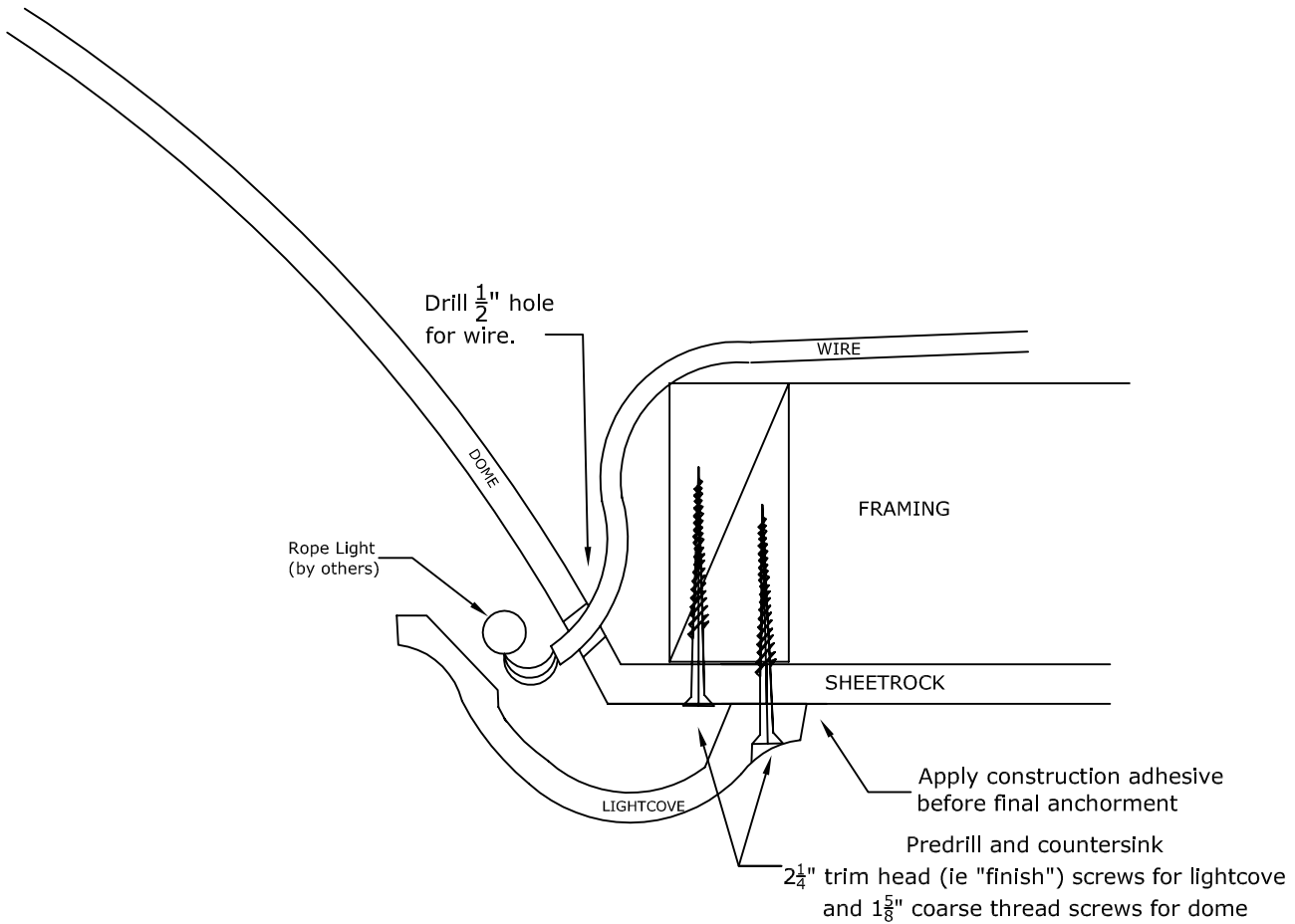
© Copyright 2018

RWM Inc.

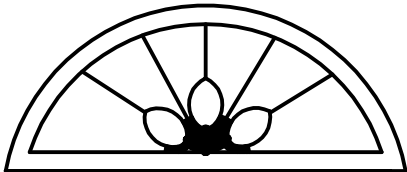
6419 South Cottonwood Street, Murray, Utah 84107
 Phone: 801-268-2400 Toll Free: 1-855-RWM-ARTS (796-2787)
 Fax: 801-268-2522 E-mail: info@rwm-inc.com

Visit our website at www.rwm-inc.com

Bullnose Lightcove: For Select Smaller Domes



We recommend at least 8 points of anchor for the light cove (in addition to at least 8 points of anchor for the dome). Larger domes may have special framing suggestions.



RWM®

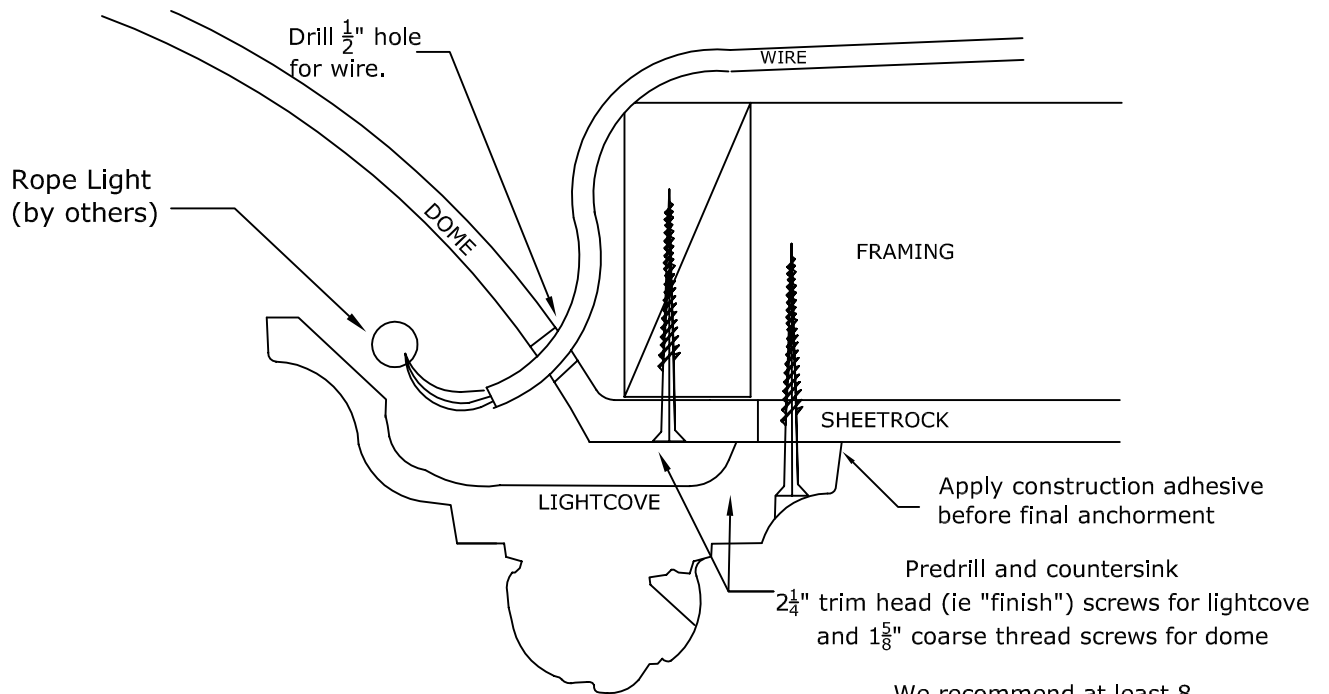
© Copyright 2018

RWM Inc.

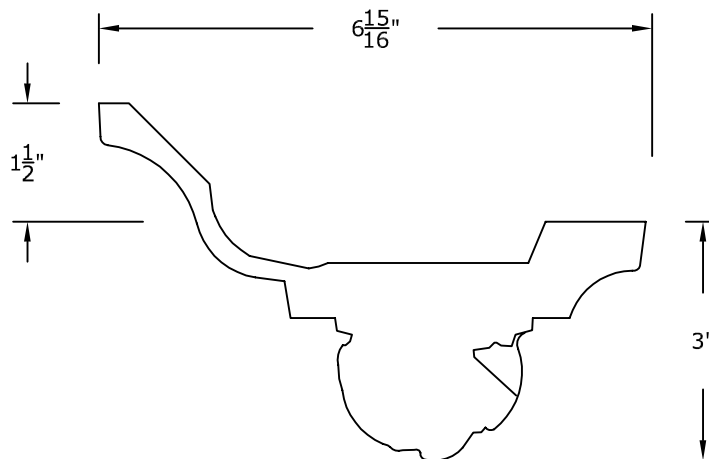
6419 South Cottonwood Street, Murray, Utah 84107
Phone: 801-268-2400 Toll Free: 1-855-RWM-ARTS (796-2787)
Fax: 801-268-2522 E-mail: info@rwm-inc.com

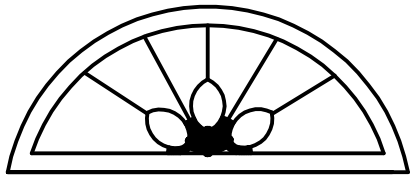
Visit our website at www.rwm-inc.com

Acanthus & Pearl Lightcover: For Select Domes



We recommend at least 8 points of anchor for the light cover (in addition to at least 8 points of anchor for the dome). Larger domes may have special framing suggestions.





RWM®

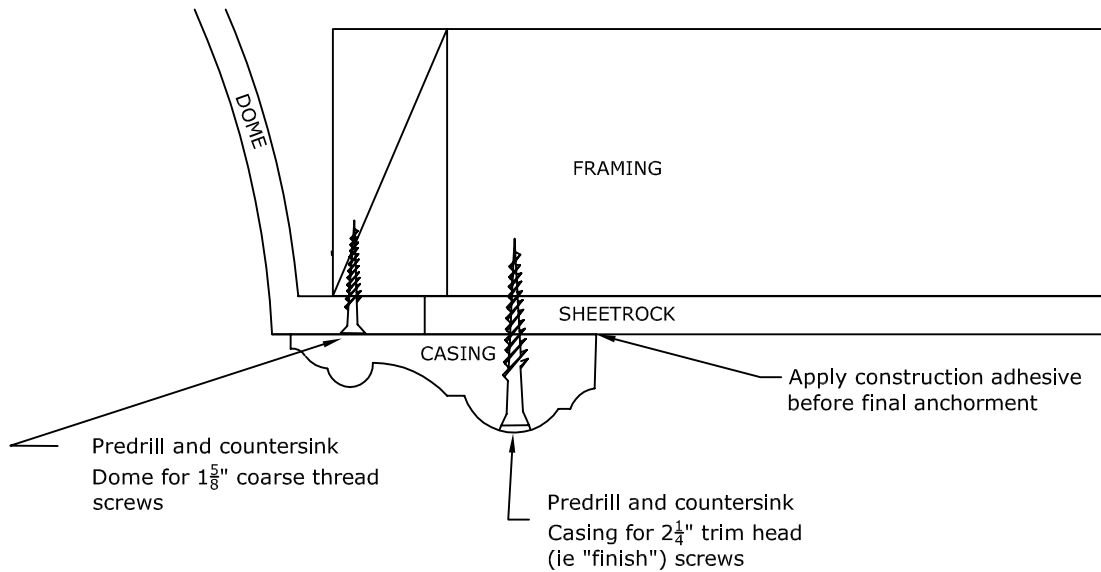
© Copyright 2018

RWM Inc.

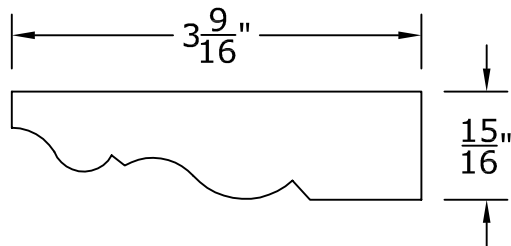
6419 South Cottonwood Street, Murray, Utah 84107
Phone: 801-268-2400 Toll Free: 1-855-RWM-ARTS (796-2787)
Fax: 801-268-2522 E-mail: info@rwm-inc.com

Visit our website at www.rwm-inc.com

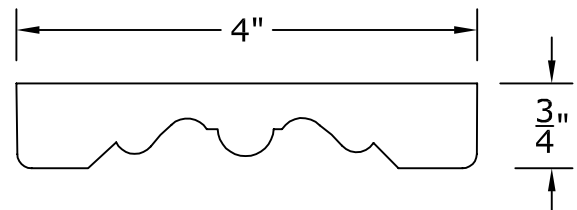
Standard Casing Profiles: For Select Domes



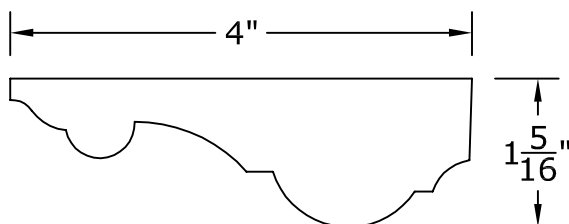
Profile 1



Profile 3



Profile 2



Profile 4

